

## Red Dot Lasermodule

DI650-1-5(8x21)-ADJ

Order Number: 70106398

| Main Parameters (*)   | min | typ | max | Unit |
|-----------------------|-----|-----|-----|------|
| Wavelength            |     | 650 |     | nm   |
| Optical Output Power  |     | 1   |     | mW   |
| Operating Voltage     | 3   | 5   | 5.5 | V DC |
| Operating Current     | 10  | 22  | 35  | mA   |
| Operating Temperature | -20 |     | 50  | °C   |
| Storage Temperature   | -40 |     | 80  | °C   |

### Optical Parameters

|                    |                      |
|--------------------|----------------------|
| Beam Shape         | Dot                  |
| Laser Class        | 2                    |
| Divergence         | 1.5mrad              |
| Size of Laserdot   | adjustable           |
| Operating Distance | 10m                  |
| Optics             | glass lens AR coated |
| Laser technology   | Single Mode Diode    |
| Focus              | adjustable           |

### Technical Parameters

|          |        |
|----------|--------|
| Lifetime | >5000h |
| RoHS     | yes    |

### Electrical Parameters

|                      |          |
|----------------------|----------|
| Potential of Housing | isolated |
| Power Supply         | LFNT-5   |

### Mechanical Parameters

|                   |                            |
|-------------------|----------------------------|
| Size              | Ø8x21mm                    |
| Material          | aluminium                  |
| Cable length      | 100mm                      |
| Wire type         | 26AWG, 0,14mm <sup>2</sup> |
| Output Aperture   | 2mm                        |
| Housing Color     | black                      |
| Weight            | 3g                         |
| Stripping of wire | 5mm                        |

(\*) Over the complete operating temperature range

### Features





- Operating Voltage 5V DC
- Laser Class 2
- Image processing
- Adjustable focus
- Compact size

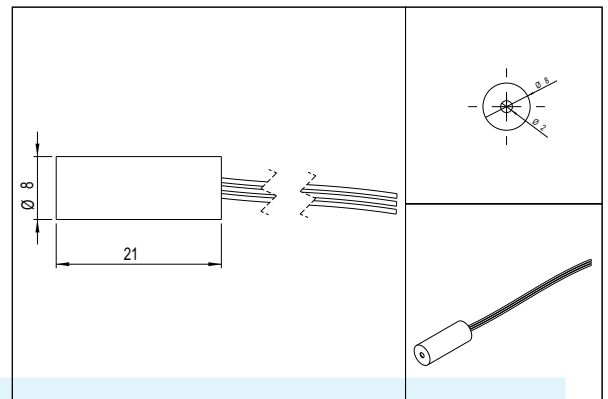
### Picture



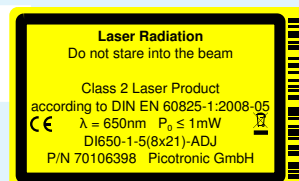
### Cable Colors

|          |   |       |                    |
|----------|---|-------|--------------------|
| Ground   |  | green | GND                |
| Positive |  | red   | 3 - 5.5, typ 5V DC |

### Drawing



### Safety Label



### Revision

REV 7 | 13-OCT-2014