

Infrared Dot Lasermodule

IMD830-0.4-5(14x30)-10kHz

Order Number: 70120202

Main Parameters (*)	min	typ	max	Unit
Wavelength		830		nm
Optical Output Power		0.4		mW
Operating Voltage	4.5	5	5.5	V DC
Operating Current	7	15	30	mA
Operating Temperature	-20		50	°C
Storage Temperature	-40		80	°C

Optical Parameters

Beam Shape	Dot
Laser Class	1
Divergence	0.5mrad
Beam Diameter	3mm
Operating Distance	10m
Optics	glass lens AR coated
Laser technology	Single Mode Diode
Focus	fixed

Technical Parameters

Lifetime	>5000h
RoHS	yes

Electrical Parameters

Potential of Housing	isolated
Power Supply	LFNT-5

Mechanical Parameters

Size	Ø14x30mm
Material	aluminium
Cable length	100mm
Wire type	Belden, Typ 1007, 26AWG
Output Aperture	3mm
Housing Color	black
Weight	18g
Stripping of wire	5mm

(*) Over the complete operating temperature range

Features





- Fixed focus
- Low power consumption
- Compact size
- Modulated 10kHz
- Glass lenses anti reflex coated
- blinking with 10kHz

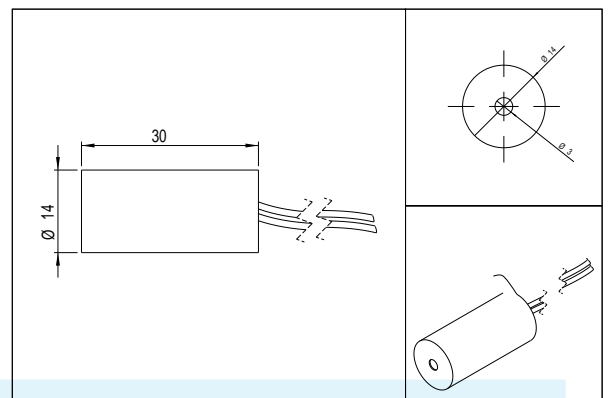
Picture



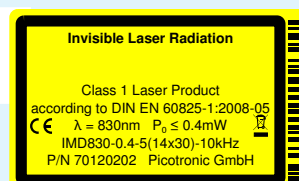
Cable Colors

Ground		black	GND
Positive		red	4.5 - 5.5, typ 5V DC

Drawing



Safety Label



Revision

| 04-AUG-2014