

Red Dot Lasermodule

DI635-1-5(9x21)-F100-AP
Order Number: 70117684

Main Parameters (*)	min	typ	max	Unit
Wavelength		635		nm
Optical Output Power		1		mW
Operating Voltage	4.5	5	5.5	V DC
Operating Current	15	27	45	mA
Operating Temperature	-20		50	°C
Storage Temperature	-40		80	°C

Optical Parameters

Beam Shape	Dot
Laser Class	2
Divergence	1.5mrad
Beam Diameter	2mm
Size of Laserdot	<0.3mm@0.1m
Operating Distance	0.1m
Optics	glass lens AR coated
Laser technology	Single Mode Diode
Axial Divergence	±0.1°
Focus	fixed (100mm)

Technical Parameters

Lifetime	>5000h
RoHS	yes

Electrical Parameters

Potential of Housing	isolated
Power Supply	LFNT-5

Mechanical Parameters

Size	Ø9x21mm
Material	aluminium
Cable length	100mm
Wire type	26AWG, 0,14mm ²
Output Aperture	2mm
Housing Color	silver
Weight	3.5g
Stripping of wire	10mm

(*) Over the complete operating temperature range

Features





- Axial parallel
- Glas lenses anti reflex coated
- Small package
- Operating Voltage 5V DC
- Laser Class 2

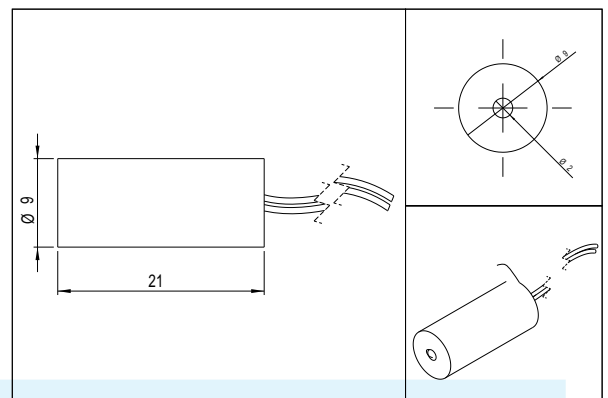
Picture



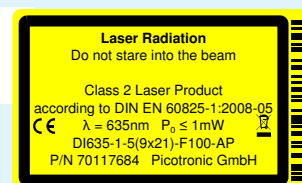
Cable Colors

Ground		blue	GND
Positive		red	4.5 - 5.5, typ 5V DC

Drawing



Safety Label



Revision

REV 5 | 06-AUG-2014