

Red Dot Lasermodule

DD635-1-5(12x25)

Order Number: 70107586

Main Parameters (*)	min	typ	max	Unit
Wavelength		635		nm
Optical Output Power		1		mW
Operating Voltage	4.5	5	5.5	V DC
Operating Current	15	26	35	mA
Operating Temperature	-20		50	°C
Storage Temperature	-40		80	°C

Optical Parameters

Beam Shape	Dot
Laser Class	2
Divergence	0.5mrad
Beam Diameter	5mm
Size of Laserdot	<2..3mm@5m
Operating Distance	50m
Optics	glass lens AR coated
Laser technology	Single Mode Diode
Focus	fixed (5000mm)

Technical Parameters

Lifetime	>5000h
RoHS	yes

Electrical Parameters

Potential of Housing	isolated
Power Supply	LFNT-5

Mechanical Parameters

Size	Ø12x25mm
Material	aluminium
Cable length	100mm
Wire type	Belden, Typ 1007, 26AWG
Output Aperture	5mm
Housing Color	black
Weight	7g
Stripping of wire	5mm

(*) Over the complete operating temperature range

Features




- Compact size
- Laser Class 2
- Operating Voltage 5V DC
- Glas lenses anti reflex coated
- Image processing

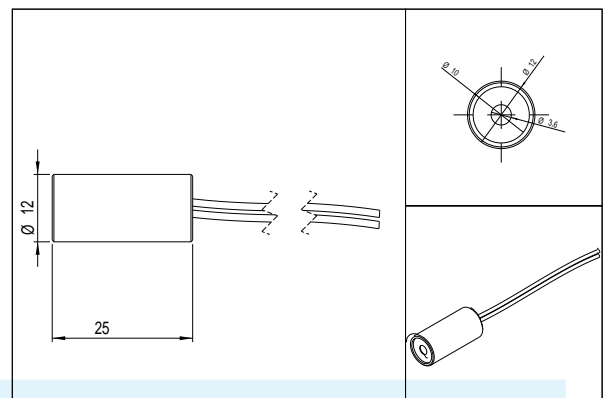
Picture



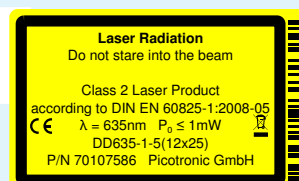
Cable Colors

Ground		black	GND
Positive		red	4.5 - 5.5, typ 5V DC

Drawing



Safety Label



Revision

REV 11 | 11-JUL-2014