

Green Line Lasermodule

LD532-5-3(15x70)

Order Number: 70101133

Main Parameters (*)	min	typ	max	Unit
Wavelength		532		nm
Optical Output Power		5		mW
Operating Voltage	2.7	3	3.3	V DC
Operating Current	100	200	350	mA
Operating Temperature	15		30	°C
Storage Temperature	-40		80	°C

Optical Parameters

Beam Shape	Line
Laser Class	1
Divergence	0.5mrad
Fan Angle	90°
Line Thickness	<1.5mm@3m
Operating Distance	5m
Optics	glass lens AR coated
Beam Mode	TEM00
Laser technology	Solid State (YVO4+KTP)
Stability	+/- 10% @ 15-30C
Focus	fixed (3000mm)
Warm up time	<15min

Technical Parameters

Lifetime	>5000h
RoHS	yes

Electrical Parameters

Potential of Housing	isolated
Power Supply	LFNT-3

Mechanical Parameters

Size	Ø15x70mm
Material	aluminium
Cable length	100mm
Wire type	26AWG, 0,14mm ²
Output Aperture	5mm
Housing Color	black
Weight	33.5g
Stripping of wire	5mm

(*) Over the complete operating temperature range

Features





- Operating Voltage 3V DC
- Laser Class 1
- Fan angle 90°
- Fixed focus
- Image processing

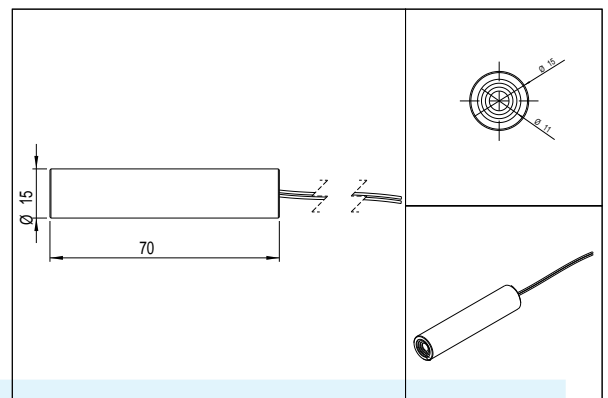
Picture



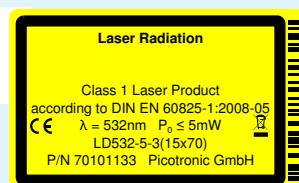
Cable Colors

Ground		blue	GND
Positive		red	2.7 - 3.3, typ 3V DC

Drawing



Safety Label



Revision

REV 14 | 06-AUG-2014