

## Red Line Lasermodule

LE650-5-3(12x32)30-F500-C1500

Order Number: 70106039

Main Parameters (*)	min	typ	max	Unit
Wavelength		650		nm
Optical Output Power		5		mW
Operating Voltage	2.7	3	3.3	V DC
Operating Current	15	32	45	mA
Operating Temperature	-20		50	°C
Storage Temperature	-40		80	°C

### Optical Parameters

Beam Shape	Line
Laser Class	1
Divergence	0.6mrad
Fan Angle	30°
Line Thickness	<0.5mm@0.5m
Operating Distance	0.5m
Optics	glass lens AR coated
Laser technology	Single Mode Diode
Focus	fixed (500mm)

### Technical Parameters

Lifetime	>5000h
RoHS	yes

### Electrical Parameters

Potential of Housing	isolated
Power Supply	LFNT-3

### Mechanical Parameters

Size	Ø12x32mm
Material	aluminium
Cable length	1500mm
Wire type	24AWG, black, 3mm
Output Aperture	5.5mm
Housing Color	black
Weight	37g
Stripping of wire	5mm
Stripping of cable cover	50mm

(\*) Over the complete operating temperature range

### Features





- Laser Class 1
- Operating Voltage 3V DC
- Fixed focus
- Uniform line thickness
- Fan angle 30°

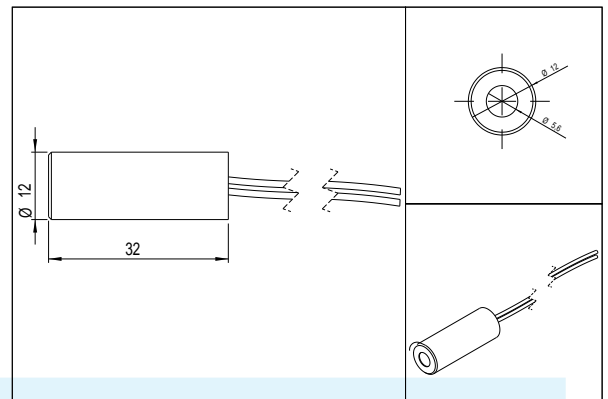
### Picture



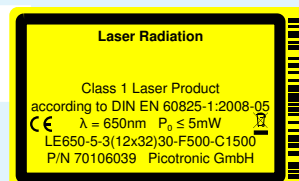
### Cable Colors

Ground		black	GND
Positive		white	2.7 - 3.3, typ 3V DC

### Drawing



### Safety Label



### Revision

REV 3 | 13-OCT-2014