

Red Dot Lasermodule

DG650-1-3(7x14)-ADJ

Order Number: 70116007

Main Parameters (*)	min	typ	max	Unit
Wavelength		650		nm
Optical Output Power		1		mW
Operating Voltage	2.7	3	3.3	V DC
Operating Current	10	20	30	mA
Operating Temperature	-20		50	°C
Storage Temperature	-40		80	°C

Optical Parameters

Beam Shape	Dot
Laser Class	2
Divergence	0.8mrad
Size of Laserdot	adjustable
Operating Distance	10m
Optics	acrylic lens
Laser technology	diode
Focus	adjustable

Technical Parameters

Lifetime	>5000h
RoHS	yes

Electrical Parameters

Potential of Housing	VDD(+)
Power Supply	LFNT-3

Mechanical Parameters

Size	Ø7x14mm
Material	Brass
Cable length	100mm
Wire type	26AWG, 0,14mm ²
Output Aperture	2.5mm
Housing Color	brass
Weight	1.5g
Stripping of wire	5mm

(*) Over the complete operating temperature range

Features





- Operating Voltage 3V DC
- Laser Class 2
- Compact size
- Adjustable focus
- Low cost

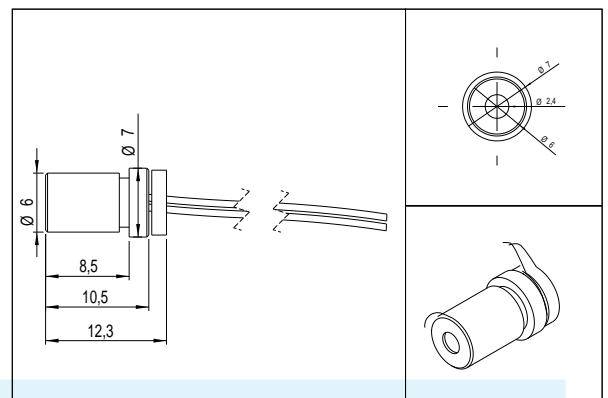
Picture



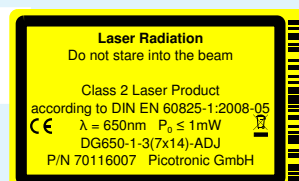
Cable Colors

Ground		blue	GND
Positive		red	2.7 - 3.3, typ 3V DC

Drawing



Safety Label



Revision

REV 6 | 30-OCT-2014