

Red Dot Lasermodule

DI650-1-5(8x21)

Order Number: 70104349

Main Parameters (*)	min	typ	max	Unit
Wavelength		650		nm
Optical Output Power		1		mW
Operating Voltage	4.5	5	5.5	V DC
Operating Current	10	22	35	mA
Operating Temperature	-20		50	°C
Storage Temperature	-40		80	°C

Optical Parameters

Beam Shape	Dot
Laser Class	2
Divergence	1.5mrad
Beam Diameter	2mm
Size of Laserdot	<3..5mm@5m
Operating Distance	10m
Optics	glass lens AR coated
Laser technology	Single Mode Diode
Focus	fixed (5000mm)

Technical Parameters

Lifetime	>5000h
RoHS	yes

Electrical Parameters

Potential of Housing	isolated
Power Supply	LFNT-5

Mechanical Parameters

Size	Ø8x21mm
Material	aluminium
Cable length	100mm
Wire type	26AWG, 0,14mm ²
Output Aperture	2mm
Housing Color	black
Weight	2.5g
Stripping of wire	5mm

(*) Over the complete operating temperature range

Features





- Operating Voltage 5V DC
- Laser Class 2
- Low power consumption
- Compact size
- Fixed focus

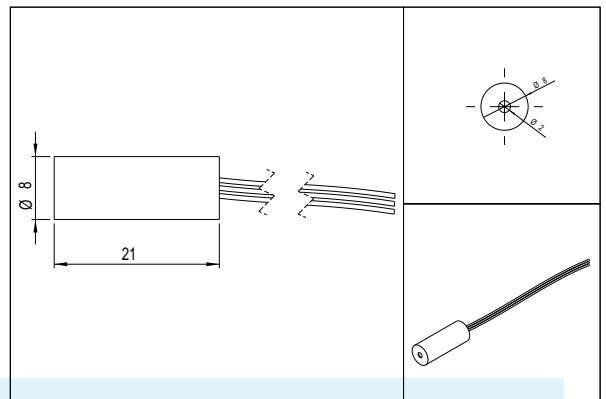
Picture



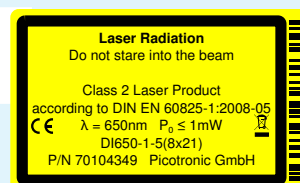
Cable Colors

Ground		blue	GND
Positive		red	4.5 - 5.5, typ 5V DC

Drawing



Safety Label



Revision

REV 14 | 13-OCT-2014