

## Red Dot Lasermodule

DD635-1-5(12x25)15mmat1000mm  
Order Number: 70106596

Main Parameters (*)	min	typ	max	Unit
Wavelength		635		nm
Optical Output Power		1		mW
Operating Voltage	4.5	5	5.5	V DC
Operating Current	15	25	40	mA
Operating Temperature	-20		50	°C
Storage Temperature	-40		80	°C

### Optical Parameters

Beam Shape	Dot
Laser Class	2
Divergence	0.5mrad
Beam Diameter	5mm
Size of Laserdot	<15mm@1m
Operating Distance	1m
Optics	glass lens AR coated
Laser technology	Single Mode Diode
Focus	fixed (1000mm)

### Technical Parameters

Lifetime	>5000h
RoHS	yes

### Electrical Parameters

Potential of Housing	isolated
Power Supply	LFNT-5

### Mechanical Parameters

Size	Ø12x25mm
Material	aluminium
Cable length	100mm
Wire type	Belden, Typ 1007, 26AWG
Output Aperture	5mm
Housing Color	black
Weight	7g
Stripping of wire	5mm

(\*) Over the complete operating temperature range

### Features





- Laser Class 2
- Operating Voltage 5V DC
- Compact size
- For light barrier
- Fixed focus

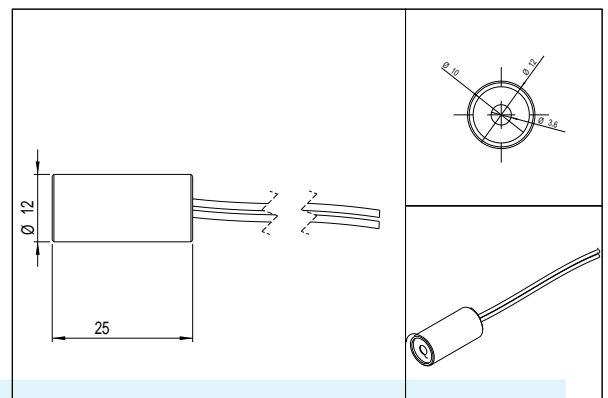
### Picture



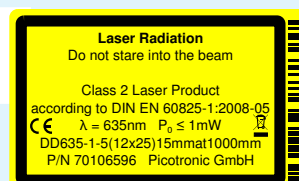
### Cable Colors

Ground		black	GND
Positive		red	4.5 - 5.5, typ 5V DC

### Drawing



### Safety Label



### Revision

REV 5 | 16-JUL-2014