

Modulated Red Dot Lasermodule

MDD650-0.9-5(14x30)

Order Number: 70115758

Main Parameters (*)	min	typ	max	Unit
Wavelength		650		nm
Optical Output Power		0.9		mW
Operating Voltage	4.5	5	5.5	V DC
Operating Current	10	22	40	mA
Operating Temperature	-10		40	°C
Storage Temperature	-40		80	°C

Optical Parameters

Beam Shape	Dot
Laser Class	2
Divergence	0.5mrad
Beam Diameter	3mm
Operating Distance	10m
Optics	glass lens AR coated
Laser technology	Single Mode Diode
Opt. Power Stability at const. Temp.	<1%
Axial Divergence	±2°
Focus	fixed

Technical Parameters

Lifetime	>50000h
RoHS	yes

Electrical Parameters

Potential of Housing	isolated
Max. Mod. Frequency	1Kilohertz
Power Supply	LFNT-5

Mechanical Parameters

Size	Ø14x30mm
Material	aluminium
Cable length	100mm
Wire type	26AWG, 0,14mm ²
Output Aperture	3mm
Housing Color	black
Weight	11.3g
Stripping of wire	5mm

(*) Over the complete operating temperature range

Features



- Operating Voltage 5V DC
- Laser Class 2
- Image processing
- Glas lenses anti reflex coated
- Uniform illumination

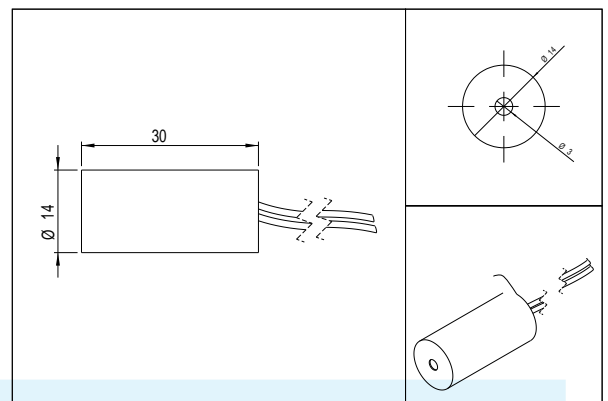
Picture



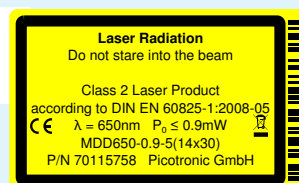
Cable Colors

Ground		black	GND
Positive		red	4.5 - 5.5, typ 5V DC
Modulation		yellow	1Kilohertz

Drawing



Safety Label



Revision

REV 1 | 21-JUL-2014