

Red Dot Lasermodule

DGI650-1-5(7x14)-F35-C125

Order Number: 70108880

Main Parameters (*)	min	typ	max	Unit
Wavelength		650		nm
Optical Output Power		1		mW
Operating Voltage	4.5	5	5.5	V DC
Operating Current	10	20	30	mA
Operating Temperature	-20		50	°C
Storage Temperature	-40		80	°C

Optical Parameters

Beam Shape	Dot
Laser Class	2
Divergence	0.8mrad
Beam Diameter	2.5mm
Size of Laserdot	<0.7mm@0.035m
Operating Distance	0.035m
Optics	acrylic lens
Laser technology	diode
Focus	fixed (35mm)

Technical Parameters

Lifetime	>5000h
RoHS	yes

Electrical Parameters

Potential of Housing	isolated
Power Supply	LFNT-5

Mechanical Parameters

Size	Ø7x14mm
Material	aluminium
Cable length	125mm
Wire type	26AWG, 0,14mm ²
Output Aperture	2.5mm
Housing Color	black
Weight	1.5g
Stripping of wire	5mm

(*) Over the complete operating temperature range

Features





- Isolated housing
- Compact size
- Fixed focus
- Laser Class 2
- Operating Voltage 5V DC

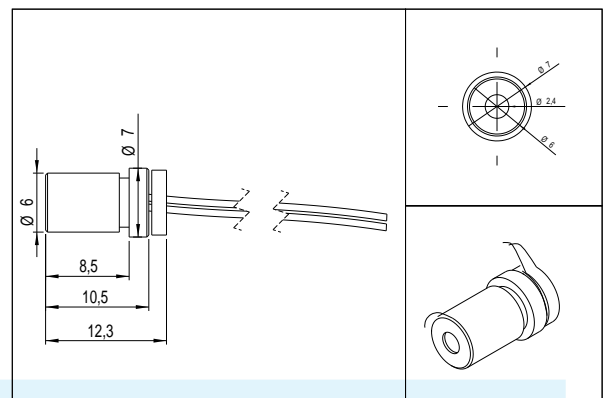
Picture



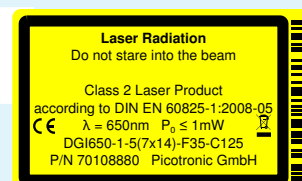
Cable Colors

Ground		green	GND
Positive		red	4.5 - 5.5, typ 5V DC

Drawing



Safety Label



Revision

REV 9 | 10-JUL-2014