

Red Dot Lasermodule

DI650-0.3-5(8x21)-F100

Order Number: 70103953

Main Parameters (*)	min	typ	max	Unit
Wavelength		650		nm
Optical Output Power		0.3		mW
Operating Voltage	4.5	5	5.5	V DC
Operating Current	10	19	30	mA
Operating Temperature	-20		50	°C
Storage Temperature	-40		80	°C

Optical Parameters

Beam Shape	Dot
Laser Class	1
Divergence	1.5mrad
Size of Laserdot	<0.3mm@0.1m
Operating Distance	0.1m
Optics	glass lens AR coated
Laser technology	Single Mode Diode
Focus	fixed (100mm)

Technical Parameters

Lifetime	>5000h
RoHS	yes

Electrical Parameters

Potential of Housing	isolated
Power Supply	LFNT-5

Mechanical Parameters

Size	Ø8x21mm
Material	aluminium
Cable length	100mm
Wire type	26AWG, 0,14mm ²
Output Aperture	2.5mm
Housing Color	black
Weight	2.5g
Stripping of wire	5mm

(*) Over the complete operating temperature range

Features





- Operating Voltage 5V DC
- Laser Class 1
- Compact size
- Low power consumption
- Fixed focus

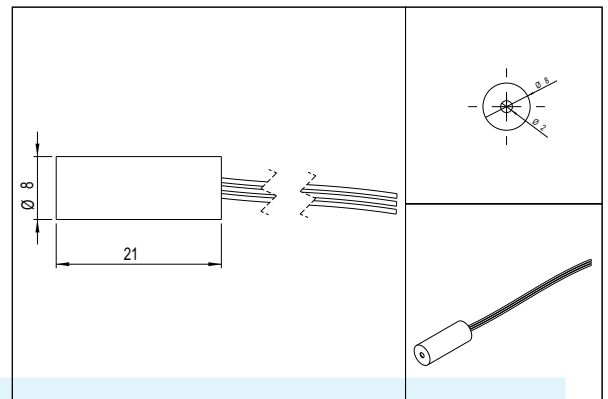
Picture



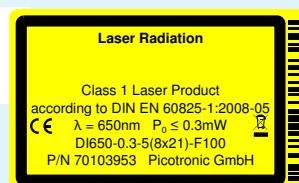
Cable Colors

Ground		green	GND
Positive		red	4.5 - 5.5, typ 5V DC

Drawing



Safety Label



Revision

REV 3 | 04-AUG-2014