

Green Cross Lasermodule

CA532-10-3(20x80)

Order Number: 70100310

Main Parameters (*)	min	typ	max	Unit
Wavelength		532		nm
Optical Output Power		10		mW
Operating Voltage	2.7	3	3.3	V DC
Operating Current	100	220	400	mA
Operating Temperature	15		30	°C
Storage Temperature	-40		80	°C

Optical Parameters

Beam Shape	Cross
Laser Class	1
Divergence	0.2mrad
Fan Angle	90°
Line Thickness	<1.5mm@3m
Operating Distance	5m
Optics	glass lens AR coated
Beam Mode	TEM00
Laser technology	Solid State (YVO4+KTP)
Focus	fixed (3000mm)
Warm up time	<15min
Verticality	< ±0.5°

Technical Parameters

Lifetime	>5000h
RoHS	yes

Electrical Parameters

Potential of Housing	VDD(+)
Power Supply	LFNT-3

Mechanical Parameters

Size	Ø20x80mm
Material	aluminium
Cable length	100mm
Wire type	26AWG, 0,14mm ²
Output Aperture	5mm
Housing Color	black
Weight	57g
Stripping of wire	5mm

(*) Over the complete operating temperature range

Features





- Glas lenses anti reflex coated
- Operating Voltage 3V DC
- Laser Class 1
- Uniform line thickness
- Image processing

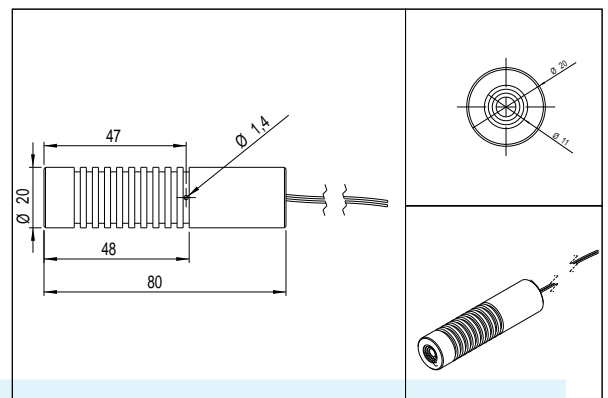
Picture



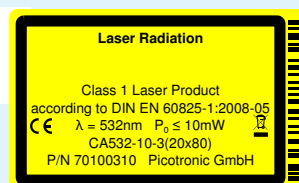
Cable Colors

Ground		blue	GND
Positive		red	2.7 - 3.3, typ 3V DC

Drawing



Safety Label



Revision

REV 14 | 13-OCT-2014