

## Red Dot Lasermodule

DC650-1-4.5(14x64)-S-AP

Order Number: 70116076

Main Parameters (*)	min	typ	max	Unit
Wavelength		650		nm
Optical Output Power		1		mW
Operating Voltage		4.5		V DC
Operating Current	10	20	30	mA
Operating Temperature	-20		50	°C
Storage Temperature	-40		80	°C

### Optical Parameters

Beam Shape	Dot
Laser Class	2
Divergence	0.4mrad
Beam Diameter	3mm
Size of Laserdot	<3mm@5m
Operating Distance	5m
Optics	glass lens AR coated
Laser technology	Single Mode Diode
Axial Divergence	±0.6°
Focus	fixed (5000mm)

### Technical Parameters

Lifetime	>5000h
RoHS	yes

### Electrical Parameters

Potential of Housing	VDD(+)
Battery	3 x LR44 Batteries

### Mechanical Parameters

Size	Ø14x64mm
Material	aluminium
Output Aperture	3.5mm
Housing Color	black
Weight	21g

(\*) Over the complete operating temperature range

### Features

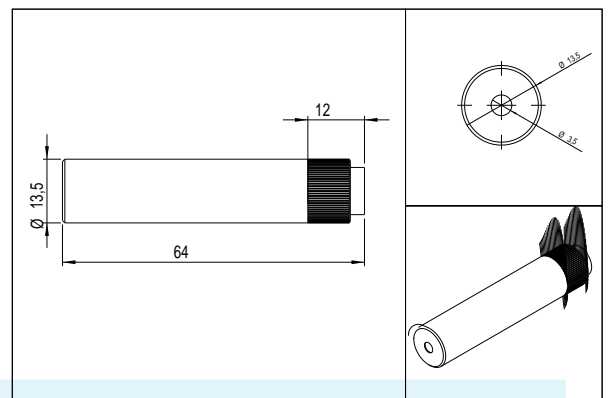


- Axial parallel
- With battery
- Glas lenses anti reflex coated
- Compact size
- Laser Class 2

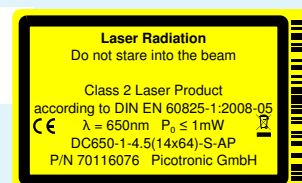
### Picture



### Drawing



### Safety Label



### Revision

REV 10 | 13-OCT-2014