

Red Line Lasermodule

LB650-5-3(22x120)10DEG-AP

Order Number: 70115437

Main Parameters (*)	min	typ	max	Unit
Wavelength		650		nm
Optical Output Power		5		mW
Operating Voltage	2.7	3	3.3	V DC
Operating Current	10	20	30	mA
Operating Temperature	-20		50	°C
Storage Temperature	-40		80	°C

Optical Parameters

Beam Shape	Line
Laser Class	2M
Divergence	0.3mrad
Fan Angle	10°
Line Thickness	<1mm@2.4m
Operating Distance	2.4m
Optics	glass lens AR coated
Laser technology	Single Mode Diode
Axial Divergence	±1°
Focus	fixed (2400mm)

Technical Parameters

Lifetime	>10000h
RoHS	yes

Electrical Parameters

Potential of Housing	VDD(+)
Battery	CR123A

Mechanical Parameters

Size	Ø22x120mm
Material	aluminium
Output Aperture	3.5mm
Housing Color	black
Weight	94.6g

(*) Over the complete operating temperature range

Features

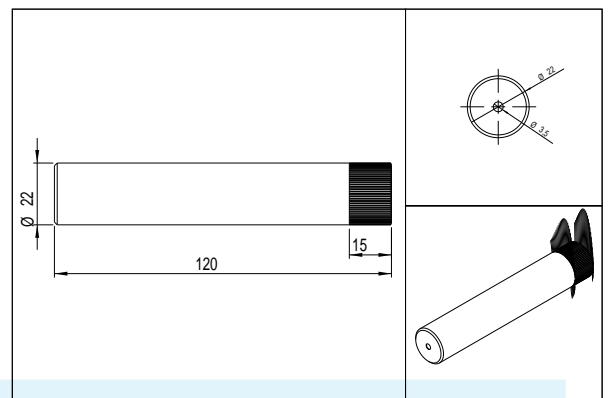


- Operating Voltage 3V DC
- Laser Class 2M
- Fixed focus
- Low power consumption
- With battery

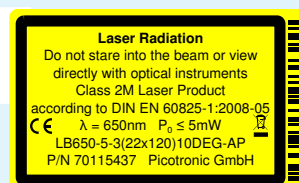
Picture



Drawing



Safety Label



Revision

REV 8 | 30-OCT-2014