

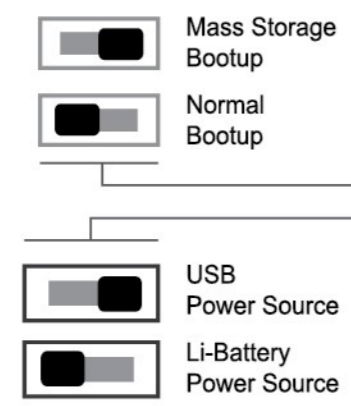
LinkIt™ ONE



GND
POWER
CONTROL
DIGITAL PIN
ANALOG-IN PIN
PWM PIN
SERIAL PIN
MT2502A PIN

⚠ Pay Attention

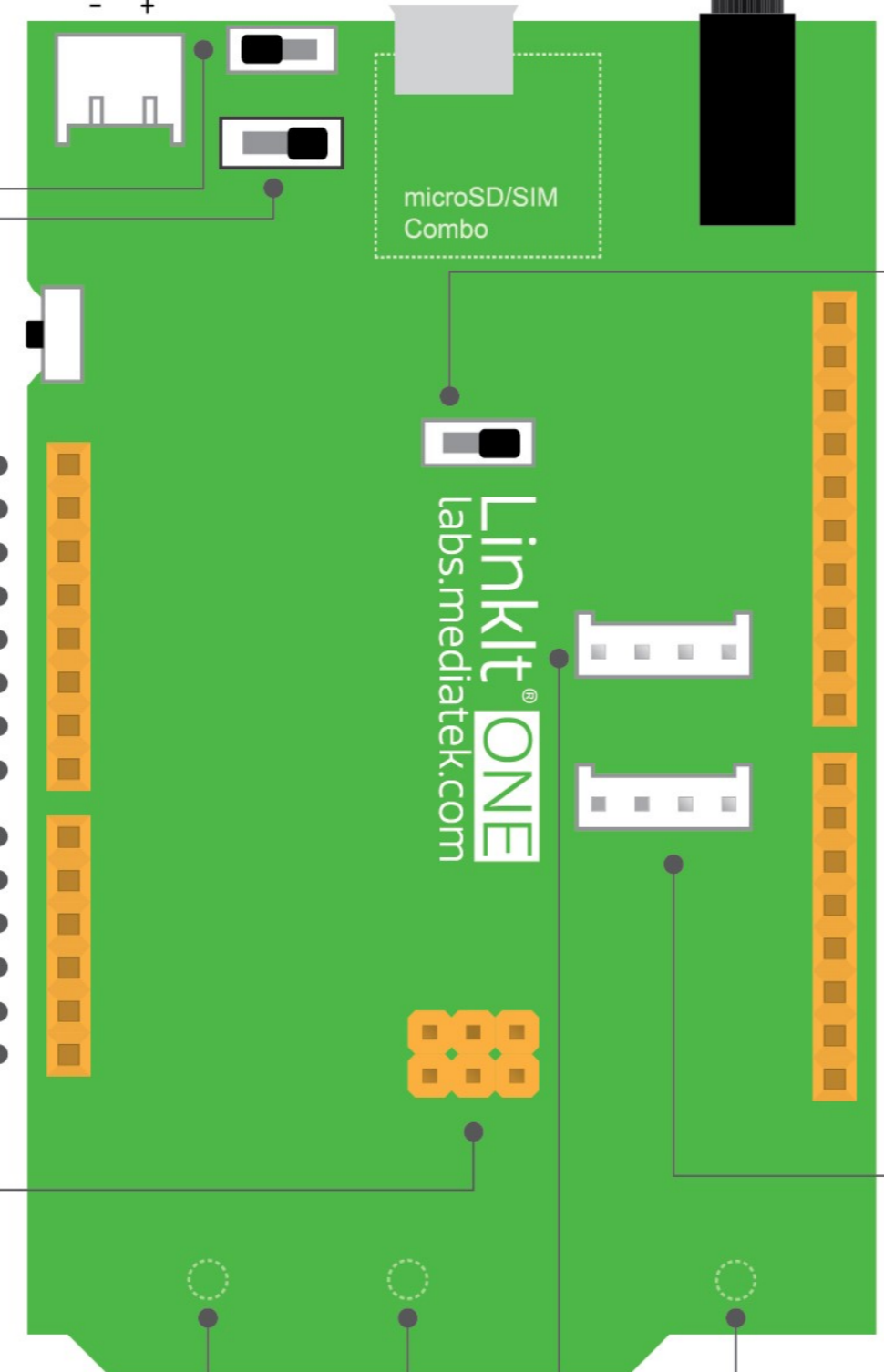
⚠ ADC input 0~5v



⚠ USB UART port of Serial

⚠ SPI and SD Card are exclusive features

Li-Battery (3.7~4.2V) Micro USB Headphone Jack (with Mic)



IOREF
RESET
3V3
5V
GND
GND

ADC0	GPIO0
ADC1	GPIO1
ADC2	GPIO2

SDA	D18	GPIO44
SCL	D19	GPIO43

GPIO43	D19	SCL
GPIO44	D18	SDA

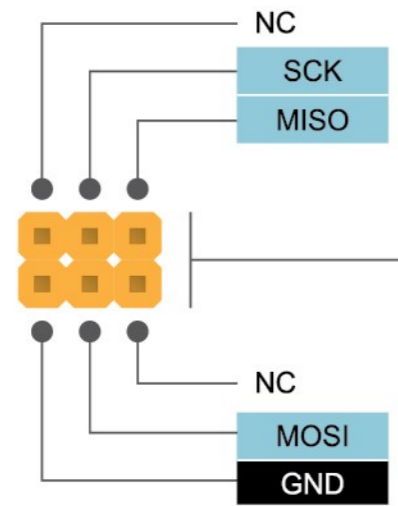
GPIO27	D13	SCK	LED
GPIO29	D12	MISO	
GPIO28	D11	MOSI	

GPIO19	D9	PWM
GPIO48	D8	

⚠ PWM Frequency
1.6KHz (13bit)
50.8KHz (8bit)
800KHz (4bit)

GPIO50	D7	EINT	PWM
GPIO25	D6	EINT	
GPIO3	D5		
GPIO40	D4		
GPIO13	D3		
GPIO46	D2	TX	LED
GPIO11	D1	RX	LED
GPIO10	D0		

⚠ TX/RX port of Serial1



GSM Antenna Port

Wi-Fi+BT Antenna Port

Grove

GPS Antenna Port

Grove

GND
5V
TX
RX

GND
5V
SDA
SCL

MCU	ARM7 EJ-S™ 260MHz
GSM	850/900/1800/1900MHz
GPRS	Class 12
Bluetooth	BR/EDR/BLE (Dual Mode)
Wi-Fi	802.11 b/g/n
GPS	GPS/GLONASS/BEIDOU
SD Card	32GB (Class 10)
Audio Codec	MP3/AAC/WAV/AMR

⚠ All digital pins operate under 3.3v with low driving current ability (for signal usage)