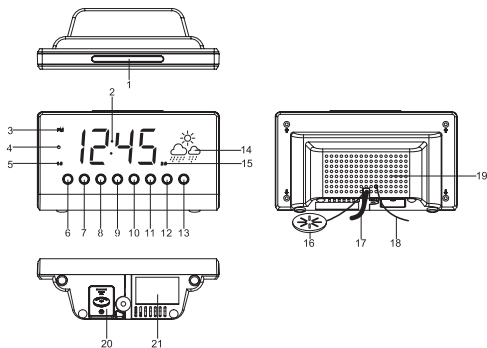


DENVER®

CR-718

INSTRUCTION MANUAL
BRUKSANVISNING
BETJENINGSVEJLEDNING
BEDIENUNGSANLEITUNG
MODE D'EMPLOI
MANUAL DE INSTRUÇÕES
INSTRUCCIONES DE USO
KÄYTTÖOHJEET
GEBRUIKERSHANDLEIDING
INSTRUKCJA OBSŁUGI
PRIRUČNIK ZA RUKOVANJE

www.denver-electronics.com
www.facebook.com/denverelectronics



FUNCTION AND CONTROLS

1. SNOOZE / SLEEP / DIMMER
2. DISPLAY
3. PM INDICATOR
4. STANDBY INDICATOR
5. ALARM 1 INDICATOR
6. ALARM 1 ON / OFF SET
7. ALARM 2 ON / OFF SET
8. << / TUNE - / YEAR/MONTH/DAY / C-F
9. >> / TUNE + / DST
10. VOLUME DOWN / DISPLAY LIGHT AUTO ON-OFF
11. VOLUME UP / TOGGLE BETWEEN DISPLAY CONTENTS ON-OFF
12. CLOCK ADJ. / MEM.SET / M+ / NAP
13. ON / OFF RADIO / ALARM OFF
14. WEATHER FORECAST
15. ALARM 2 INDICATOR
16. TEMPERATURE SENSOR (IN DOOR) / HUMIDITY SENSOR
17. AC POWER CORD
18. FM ANTENNA
19. SPEAKER
20. BATTERY COMPARTMENT
21. RATING LABEL

LED DISPLAY MODE

TIME Indicator



YEAR Indicator



MONTH Indicator

DAY Indicator



TEMPERATURE Indicator



HUMIDITY Indicator



POWER CONNECTION

Plug the AC power cord to a household outlet AC source. This unit is equipped with a battery back up system, it requires a 3V CR2032 flat lithium battery (not included). Insert the battery in the battery compartment, making certain that the positive and negative (+ and -) battery terminals are attached to the corresponding terminals on the plate in the battery compartment. If an AC power failure occurs, the clock automatically switches to the battery power supply, the clock and timer memory continue running. When the AC power resumes, the clock switches back to AC again.

TIME AND CALENDAR MANUAL SETTING

Setting Time and Calendar

Press Clock ADJ. (12) button in standby mode and keep depress over 2 seconds to enter time set mode, after enter the setting mode, press Clock ADJ. button (12) to change the mode cycle as follows:

Normal → Year → Month → Day → 12/24 H format → Real time Hour → Real time Min → Normal

Action (during data adjustment):

- Press << / Tune - button (8) to adjust data backward.
- Press >> / Tune + button (9) to adjust data forward.
- Keep depressed << or >> button for 2 seconds to enable auto forward.
- Use Clock ADJ. (12) button to confirm each setting.

ALARM SETTING

Setting Alarm 1 and Alarm 2

Press the alarm set button (6/7) during normal mode to show the alarm time. Afterwards keep depress the alarm set button (6/7) over 2 seconds to enter the alarm set mode. After enter the setting mode, press the alarm set button (6/7) to change the mode cycle as follows :

Normal → ALARM 1 Hour → ALARM 1 Min → ALARM 1 weekday Alarm → ALARM 1 wake beep → ALARM 1 wake radio → ALARM 1 wake radio volume → Normal.

Normal → ALARM 2 Hour → ALARM 2 Min → ALARM 2 weekday Alarm → ALARM 2 wake beep → ALARM 2 wake radio → ALARM 2 wake radio volume → Normal.

Select alarm weekday mode as follows:

1-5: Monday to Friday

1-7: Whole week

6-7: Saturday & Sunday

1-1: One day of week

Action (during data adjustment):

- Press << / Tune - (8) button to adjust data backward.
- Press >> / Tune + (9) button to adjust data forward.
- Keep depressed << or >> button for 2 seconds to enable auto forward.
- Use ALARM 1 / ALARM 2 set button to confirm each setting.

ALARM

Beep alarm or radio alarm will ring for 30 minutes if no key is pressed, then it will stop automatically and wait for same alarm time on next day.

Enable / disable the Alarm

Press and hold the "ALARM 1" (6) / "ALARM 2" (7) button to enable or disable the alarm. Once the alarm is activated, the bell symbol will be appeared on the display.

SNOOZE FUNCTION

When Alarm rings, press Snooze button (1) to suspend the alarm & to activate the snooze function, Beep or Radio alarm will stop. 9 minutes later the alarm will ring again. Press SNOOZE button (1) again, alarm will be suspended again, another 9 minutes later the alarm will ring again and so on until the next alarm rings.

Note: The interval time of the Snooze function is 9 minutes.

- If you want to disable the SNOOZE function and stop alarm completely, press Radio ON/OFF button (13). If you don't press any button, the alarm will ring during 30 minutes & stop automatically.
- Icon of ALARM 1 and ALARM 2 will blink as long as Snooze function is still operating. Once Snooze is turned off icon of ALARM 1 / ALARM 2 stop blinking and lights on the display.

SLEEP OPERATION

When you listen to the radio, press the SNOOZE/SLEEP/DIMMER (1) button to enter into the sleep mode. You can adjust the sleep timer from 90 minutes to 15 minutes by pressing repeatedly the SNOOZE/SLEEP/DIMMER button (1). When sleep timer is selected, the unit will automatically turn off once time is up.

DIMMER CONTROL

The dimmer button (1) allows you to set the brightness of the LED display to high, medium and low 3 levels.

DISPLAY LIGHT AUTO ON/OFF FUNCTION

1. Press display light auto on-off button (10) for 3 seconds, the LED display \odot indicator will light on, the LED display will turn off after 15 seconds automatically.

Press any button to maintain the LED display for 15 seconds.

2. Press display light auto on-off (10) button for 3 seconds, the LED display \odot indicator will light off to cancel this function.

NAP timer function (count down timer)

During radio off mode, press MEM.SET / M+ / NAP button (12) to turn on NAP mode, the NAP time will keep by 5 seconds, within 5 seconds and press MEM.SET / M+ / NAP button (12) button can change the duration from 90 min – 10 min.

The alarm buzzer will sound for 30 min and then shut off automatically. To stop the alarm buzzer, press the ON/OFF button (13).

Press the MEM.SET / M+ / NAP button (12) has no effect during alarm operation. Press ON/OFF button (13) to cancel NAP function.

DAYLIGHT SAVING TIME (DST) MODE

For countries with daylight saving time (DST) (one hour of difference between summer time and winter time), this clock radio offers you DST option to adjust summer time.

In standby mode press and hold for 2 seconds the \gg /TUNE+/DST button (9).

The clock advances by one hour. To exit DST mode, repeat the above operation.

AUTO TOGGLING BETWEEN DISPLAY CONTENTS

In clock mode, press and hold DISPLAY button (11) for 3 seconds. "ON" appears on the display. Then the display automatically shows below contents in 5-10 second intervals.

Current time > Month, Day > Temperature > Humidity

To deactivate this function, press and hold DISPLAY button (11) for 3 seconds. "OFF" appears on the display, then the display switches back

to the clock mode.

TIME Indicator



Contents in 10-second intervals

MONTH Indicator DAY Indicator



Contents in 5-second intervals

TEMPERATURE Indicator



Contents in 5-second intervals

HUMIDITY Indicator



Contents in 5-second intervals

RADIO MODE

Note: Ensure that the FM antenna is completely unrolled and extended to have the best FM reception.

1. Press the Radio ON/OFF button (13) to turn the unit on.
2. Use the Tune - (8) or Tune + (9) button to select the desired radio station. If you press and hold the Tune - (8) or Tune + (9) button for one second, then release, the unit will automatically scan to the next broadcasting station.
3. Press the ON/OFF button (13) to turn the radio OFF.





To set / recall the radio presets

1. Press the ON/OFF button (13) to turn the unit ON.
2. Use the Tune + or Tune - button to select the desired radio station.
3. Press and hold the memory / memory + button; "P01" will blink in the display.

4. Use the Tune+ or Tune- button to select the desired preset station (P01-P10)
5. Press the memory / memory + button again to set the preset.
6. Repeat steps 2 through 5 to set more presets.
7. The unit can preset 10 stations totally for FM.
8. When “P01-P10” is blinking, press the Tune+ or Tune- button to select the preset number.
9. When recalling preset stations, press memory / memory + button to select the preset number.

TO USE THE WEATHER FORECASTER

There is a built-in humidity sensor in your unit to make the weather forecast. There are four types of weather display in your weather station (please note that the weather graphics may look a little different to those on your unit)

	SUNNY
	SUNNY AND CLOUDY
	CLOUDY
	RAINY

Remarks: for better use of your weather station, place your unit at a location with open air circulation e.g. close by an open window. Placing it at an air-conditioned environment will affect its accuracy. After your weather station is powered up, it will take around 3 hour to get stable. The weather icons on the display give a reference to the next 12-24 hours weather conditions. It may not match with the current weather condition outside.

Predictions accuracy: 70%; prediction of the considerable weather changes (for example, from sunny weather to rain) is more accurate than prediction of negligible weather changes (from partly cloudy to cloudiness).

Weather station predicts possible weather, thus symbols could not agree with current weather. Forecast: SUNNY for night means cloudless sky.

Humidity sensor specification:

Operating temperature range : 10 ~ 50°C

Operating humidity range : 30 ~ 95%

If temperature is below 10°C or higher than 50°C, The LED display will show -- % for humidity and not show the weather forecast.

RESETTING

If the system does not respond or exhibits erratic or intermittent operation, you may have experienced an electrostatic discharge (ESD) or a power surge that triggered the internal microcontroller to shut down automatically. If this occurs, simply disconnect the ac power cord and remove the system backup battery, wait for at least 3 minutes and then setup the unit again as if it is a brand new unit.

SPECIFICATIONS

Frequency range : FM 87.5 – 108 MHz

Battery backup : 3V (CR2032 Flat Lithium battery x 1) not included

Power supply : AC 230V 50Hz

Temperature range for Indoor : 0 to + 50°C or 32 to 122 °F

Humidity range for indoor : 30% to 95%

CAUTION

Danger of explosion if battery is incorrectly replaced. Replace only with the same or equivalent type.

ALL RIGHTS RESERVED, COPYRIGHT DENVER ELECTRONICS A/S

DENVER®

www.denver-electronics.com



Electric and electronic equipment contains materials, components and substances that can be hazardous to your health and the environment, if the waste material (discarded electric and electronic equipment) is not handled correctly.

Electric and electronic equipment is marked with the crossed out trash can symbol, seen below. This symbol signifies that electric and electronic equipment should not be disposed of with other household waste, but should be disposed of separately.

All cities have established collection points, where electric and electronic equipment can either be submitted free of charge at recycling stations and other collection sites, or be collected from the households. Additional information is available at the technical department of your city.

Fill in the blank with the model number of this player, so you can find it again later.

Imported by:

DENVER ELECTRONICS A/S

Stavneagervej 22, DK-8250 EGAA, DENMARK

www.facebook.com/denverelectronics