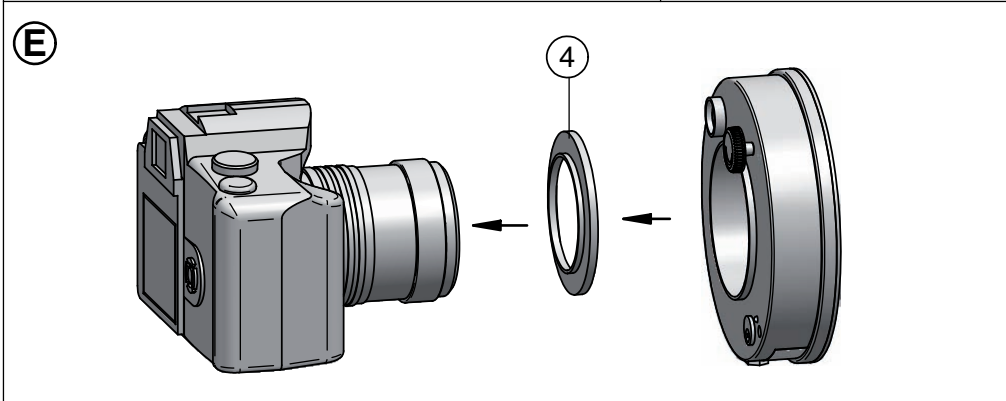
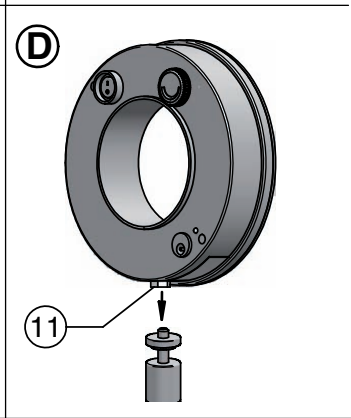
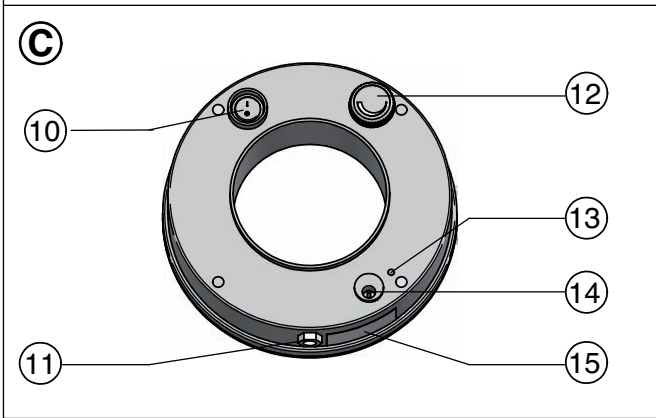
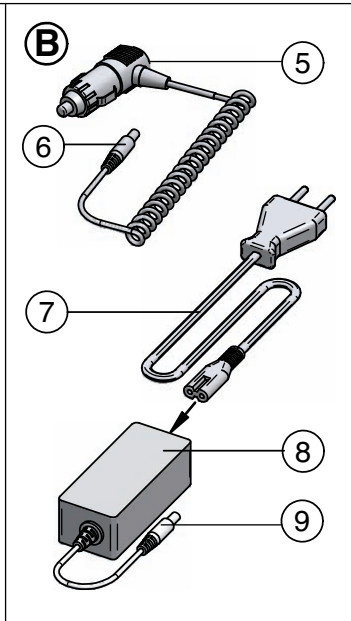
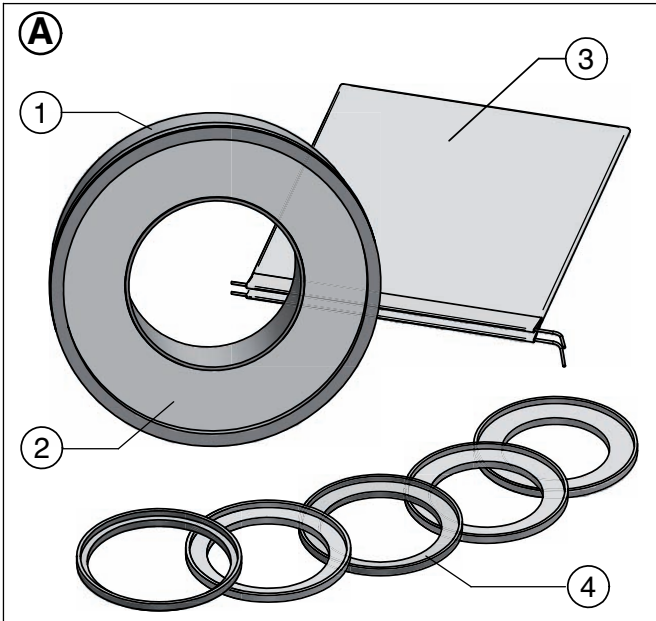


Kaiser LED Ring Light **KR90** **3250**



Operating Instructions

KAISER[®]
FOTOTECHNIK



ENGLISH

- (1) Ring light
- (2) Front panel
- (3) Protective bag
- (4) Adapter rings
- (5) 12 volt car charger cable
- (6) Car charger plug
- (7) Mains cable for quick charger
- (8) Quick charger
- (9) Charger plug
- (10) On/Off switch
- (11) 1/4" tripod thread
- (12) Dimmer
- (13) Battery charge indicator LED
- (14) Connection socket for charger /
car charger cable
- (15) Type plate

1. Scope of supply (fig. A and B)

Ring light (1), protective bag (3), adapter rings (4) with 72, 67, 62, 58 and 55 mm connection threads, 12 volt car charger cable (5), quick charger (8), mains cable (7) for quick charger

2. Application area

The KR90 ring light provides shadowless illumination for close-up and macro photography. It mounts on lenses with filter thread.

Please note:

- If the front element or the filter thread of your lens rotates while the lens focuses, disable autofocus and focus manually to avoid damage if the ring light is mounted.
- Vignetting may occur with wide-angle shots.

3. Charging the battery

The ring light is equipped with an integrated lithium-ion-battery. Charge the battery prior to first use.

Only use the quick charger (8) or the car charger cable (5) supplied with the ring light.

Please check if the mains voltage is the same as indicated on the type plate of the quick charger (8).

Plug in the plug (9 or 6) of the charger (8) or the car charger cable (5) to the connection socket (14) of the ring light (1) first. Then connect the

charger (8) to the mains or the car charger cable (5) to a 12 volt socket (cigarette lighter socket) of a car. The indicator LED (13) lights up red while charging. If charging is completed, the indicator LED (13) lights up green.

Note: You can use the ring light while it is connected to the charger or a 12 volt car socket (provided that the battery is partly charged).

4. Attaching the ring light

The 77 mm connecting thread of the ring light screws directly in the filter thread of your lens (fig. E). If your lens has a smaller filter thread, use the corresponding adapter ring supplied with the ring light. There are adapter rings for 72, 67, 62, 58 and 55 mm filter threads.

The ring light has a 1/4" tripod thread (11) and can also be mounted on a tripod, ball head, swivel arm etc. (fig. D).

5. Operating the ring light

Put the On/Off switch (10) in position „I“ to turn on the light. (If the ring light does not light up, check if the dimmer (12) is set to minimum.)

Light output can be adjusted continuously by turning the dimmer knob (12). The change in colour temperature is only marginal.

Light intensity does not go down when battery voltage decreases.

Set the On/Off switch (10) to „0“ when the ring light is not in use.

The ring light shuts off automatically if the battery needs to be recharged.

6. Safety notes

Avoid improper use and use your ring light only with dedicated equipment.

Make sure that

- both water and flammable substances and liquids are kept away from the unit,
- the ring light is not covered during operation.

After operation let the unit cool down before boxing or packing it and make sure that it is switched off.

Do not open the housing of the ring light.

Repairs must be carried out by qualified persons only.

7. Maintenance and care

The ring light is maintenance-free. Make sure, that the front panel (2) is free of stains and dirt. If necessary remove these before operation.

Clean the light with a soft, dry cloth. On no account use petrol or other cleaning agents and solvents.

If the ring light is not used for a longer period of time, a trickle charge is recommended from time to time.

Use the supplied protective bag (3) to store or carry the light.

8. Specifications

Ring light

Light source:

30 three-chip high performance LEDs

Colour temperature: approx. 5500 Kelvin

Illumination:

approx. 1850 lux at 30 cm (11.8 in.)

approx. 675 lux at 50 cm (19.7 in.)

approx. 170 lux at 1m (39.4 in.)

Angle of coverage (angle of half intensity):

110°

Minimum working distance: 3 cm (1.2 in.)

Battery type: lithium-ion

Battery capacity: 1500 mAh

Operating time:

approx. 2 hours (at full light output, longer when dimmed)

Charging time: approx. 2.5 hours

Operating voltage: 12 volt

Main body: duralumin

Dimensions: diam. 142 x 34 mm (5.6 x 1.3 in.)

Weight: approx. 350 g (12.3 oz.)

Quick charger

AC 100 - 240 volt, 50/60 Hz

DC 12 volt / 1 amp

Right reserved to make technical modifications.

KAISER[®]
FOTOTECHNIK

Kaiser Fototechnik GmbH & Co. KG
Im Krötenreich 2 · 74722 Buchen · Germany
Telefon +49(0)6281 407-0 · Fax +49(0)6281 407-55
www.kaiser-fototechnik.de · info@kaiser-fototechnik.de