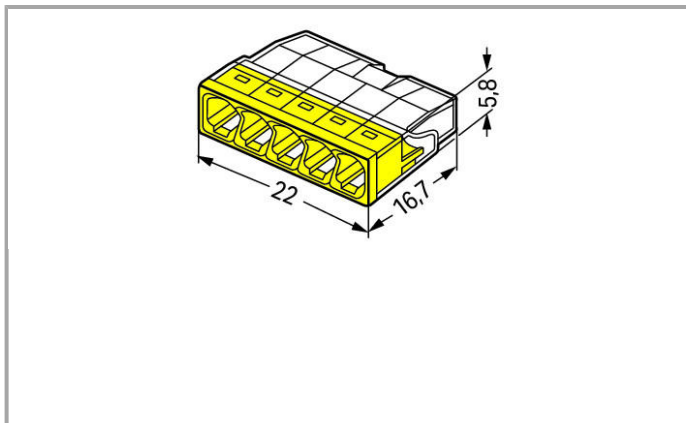


Data sheet | Item number: 2273-205

COMPACT PUSH WIRE® connector for junction boxes; 5-conductor terminal block; transparent housing; yellow cover



[www.wago.com/2273-205](http://www.wago.com/2273-205)



## Data

### Electrical data

#### Ratings per IEC/EN 60664-1

Rated voltage (II / 2)	450 V
Rated impulse voltage (II / 2)	4 kV
Rated current	24 A
Legend (ratings)	(II / 2) ≙ Overvoltage category II / Pollution degree 2

## Connection data

Connection technology	PUSH WIRE®
Actuation type	Push-in
Connectable conductor materials	Copper
Solid conductor	0.5 ... 2.5 mm <sup>2</sup> / 20 ... 14 AWG
Strip length	11 mm / 0.43 Inch
Total number of connection points	5
Total number of potentials	1
Type of wiring	Side-entry wiring

## Geometrical Data

Width	22 mm / 0.866 inch
Height	5.8 mm / 0.228 inch
Depth	16.7 mm / 0.657 inch

## Material Data

Color	yellow
Cover color	yellow
Flammability class per UL94	V2
Fire load	0.03 MJ
Weight	1.581 g

## Environmental Requirements

Surrounding air (operating) temperature	60 °C
T-Marking per EN 60998	T60

## Commercial data



Country of origin	DE
GTIN	4050821027874
Customs Tariff No.	85369010000
Product Group	7 (Push Wire Conn.)

## Approvals / Certificates

### Country specific Approvals



Logo	Approval	Certificate name
	VDE VDE Prüf- und Zertifizierungsinstitut	40029794

### Ship Approvals

Logo	Approval	Certificate name
	<b>ABS</b> American Bureau of Shipping	15-HG1419918-PDA
	<b>DNV GL</b> Det Norske Veritas, Germanischer Lloyd	TAE000015T

### Compatible products

#### General accessories

	<b>Item no.: 2273-500</b> Mounting carrier; for single- and double-row con.; 2273 Series; for DIN-35 rail mounting/screw mounting	<a href="http://www.wago.com/2273-500">www.wago.com/2273-500</a>
	<b>Item no.: 249-130</b> Syringe; Contents: 20 ml Alu-Plus contact paste	<a href="http://www.wago.com/249-130">www.wago.com/249-130</a>

### Downloads

#### Documentation

##### Bid Text

2273-205	Oct 27, 2017	DOC 25.1 kB	Download
----------	--------------	----------------	----------

### smartDATA

#### CAD data

3D Download 2273-205	URL	Download
----------------------	-----	----------

Subject to changes.