

Data sheet | Item number: 2273-208

COMPACT PUSH WIRE® connector for junction boxes; 8-conductor terminal block; transparent housing; light gray cover

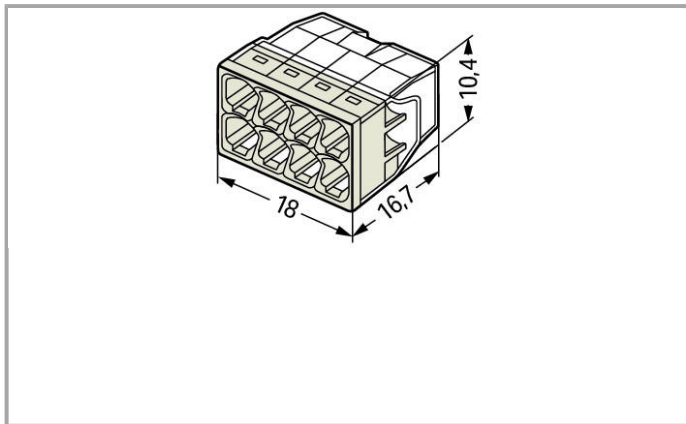


www.wago.com/2273-208



RoHS Compliant

[BOMcheck.net](https://www.bomcheck.net)



Data

Electrical data

Ratings per IEC/EN 60664-1

Rated voltage (II / 2)	450 V
Rated impulse voltage (II / 2)	4 kV



Rated current	24 A
Legend (ratings)	(II / 2) \triangleq Overvoltage category II / Pollution degree 2

Connection data

Connection technology	PUSH WIRE [®]
Actuation type	Push-in
Connectable conductor materials	Copper
Solid conductor	0.5 ... 2.5 mm ² / 20 ... 14 AWG
Strip length	11 mm / 0.43 Inch
Total number of connection points	8
Total number of potentials	1
Type of wiring	Side-entry wiring

Geometrical Data

Width	18 mm / 0.709 inch
Height	10.4 mm / 0.409 inch
Depth	16.7 mm / 0.657 inch

Material Data

Color	transparent
Cover color	light gray
Flammability class per UL94	V2
Fire load	0.039 MJ
Weight	2.17 g

Environmental Requirements

Surrounding air (operating) temperature	60 °C
T-Marking per EN 60998	T60

Commercial data

Country of origin	DE
GTIN	4050821027881
Customs Tariff No.	85369010000
Product Group	7 (Push Wire Conn.)



Approvals / Certificates

Country specific Approvals

Logo	Approval	Certificate name
	VDE VDE Prüf- und Zertifizierungsinstitut	40029794





Ship Approvals

Logo	Approval	Certificate name
	ABS American Bureau of Shipping	15-HG1419918-PDA
	DNV GL Det Norske Veritas, Germanischer Lloyd	TAE000015T

Compatible products

General accessories

	Item no.: 2273-500 Mounting carrier; for single- and double-row con.; 2273 Series; for DIN-35 rail mounting/screw mounting	www.wago.com/2273-500
	Item no.: 249-130 Syringe; Contents: 20 ml Alu-Plus contact paste	www.wago.com/249-130

Downloads

Documentation

Bid Text

2273-208	Oct 27, 2017	DOC 25.1 kB	Download
----------	--------------	----------------	----------

smartDATA

CAD data

3D Download 2273-208	URL	Download
----------------------	-----	----------

Subject to changes.