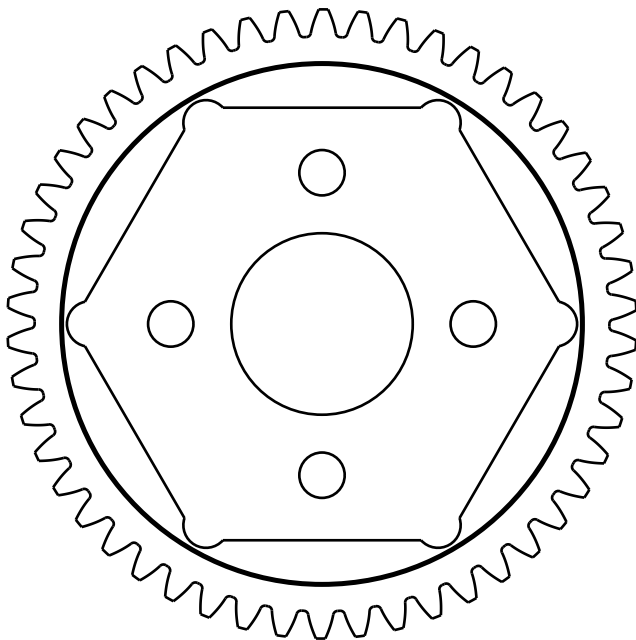


sectional drawing A-A



Gear tech date  
 Module:  $m=0.8$   
 Gear Number: 50T  
 Pressure angle:  $20^\circ$