

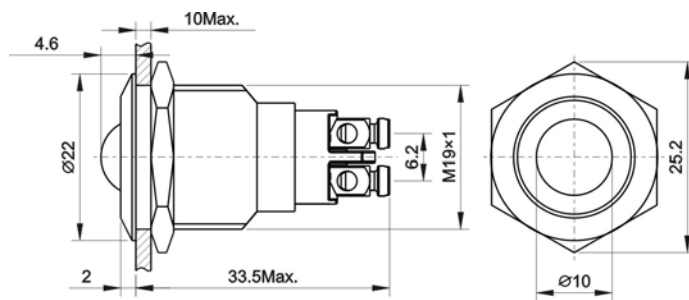
# Datasheet

Item no. 1302117

V1\_0717\_01\_en

Product Description: Signal lamp,  $\Phi$  19mm, 12V.

BN: 1302117



The Front Shape .....	Domed
Terminal Type .....	Screw Terminal
Dielectric Intensity .....	2000VAC
Operating Temp .....	-20°C ~ +55°C
Humidity .....	45 ~ 85% RH
Panel Thickness .....	1~10mm
Rated Voltage .....	12V AC/ DC
Rated Current .....	15mA
LED Color .....	Green
LED Life .....	40000 hours
Torque .....	5~14Nm
Lampshade Material.....	PC
Body Material .....	Stainless Steel
Base Material .....	PBT

This is a publication by Conrad Electronic SE, Klaus-Conrad-Str. 1, D-92240 Hirschau (www.conrad.com).  
 All rights including translation reserved. Reproduction by any method, e.g. photocopy, microfilming, or the capture in electronic data processing systems require the prior written approval by the editor. Reprinting, also in part, is prohibited. This publication represents the technical status at the time of printing.  
 © Copyright 2017 by Conrad Electronic SE.