

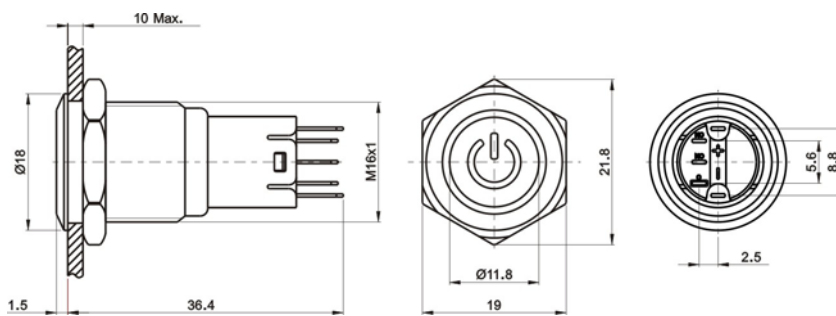
# Datasheet

Item no. 1303018

V1\_0717\_01\_en

Φ 16mm, Push Button Switch ,Illuminated power symbol, Latching,  
1NO1NC, IP65, Blue 12V for LED, IP65

Item no. 1303018



Switching .....	C(single-break fast-motion changeover contact)
The Front Shape .....	Flat Round
Terminal Type .....	Pin Terminal(1.8×0.4mm)
Switch Rating .....	2A/48VDC
Contact Resistance .....	≤50m Ω
Insulation Resistance .....	≥1000M Ω
Dielectric Intensity .....	2000VAC
Operating and storage temperature.....	-20℃ ~ +55℃
Operating and storage humidity.....	45 ~ 85% RH
Mechanical Life .....	200,000 cycles
Electrical Life .....	50,000 cycles
Panel Thickness .....	1~10mm
Operation Pressure .....	About 2.5~4N
Operation Travel .....	About 2.8mm
Contact Material .....	Silver Alloy
Button Material .....	Stainless Steel
Crust Material .....	Stainless Steel

This is a publication by Conrad Electronic SE, Klaus-Conrad-Str. 1, D-92240 Hirschau (www.conrad.com).  
All rights including translation reserved. Reproduction by any method, e.g. photocopy, microfilming, or the capture in electronic data processing systems require the prior written approval by the editor. Reprinting, also in part, is prohibited. This publication represents the technical status at the time of printing.

© Copyright 2017 by Conrad Electronic SE.