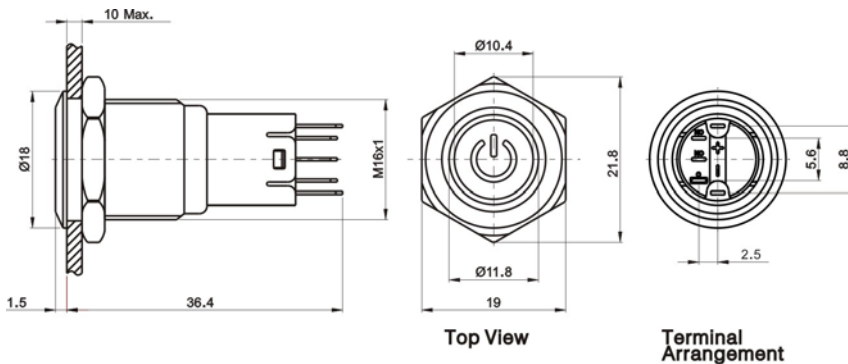


DATASHEET

Φ 16mm, Push Button Switch , Illuminated power symbol with the Ring , Momentary,
 1NO1NC, IP65, White 12V for LED, IP65 Version 06/14
 Item no. 98008c47



Specification	LAS2GQF-11ET/W/12V/S/P
The Front Shape	Flat Round
Terminal Type	Pin Terminal(1.8×0.4mm)
Switching	C(single-break fast-motion changeover contact)
Switch Rating	2A/48VDC
Contact Resistance	≤50m Ω
Insulation Resistance	≥1000M Ω
Dielectric Intensity	2000VAC
Operating and storage temperature.....	-20°C ~ +55°C
Operating and storage humidity.....	45 ~ 85% RH
Mechanical Life	200,000 cycles
Electrical Life	50,000 cycles
Panel Thickness	1~10mm
Operation Pressure	About 2.5~4N
Operation Travel	About 2.8mm
Contact Material	Silver Alloy
Button Material	Stainless Steel
Crust Material	Stainless Steel