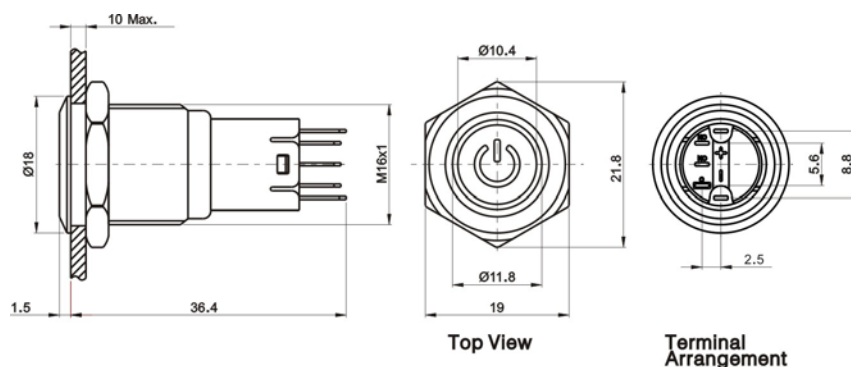


Datasheet

Item no. 1303025

V1_0717_01_en

Φ 16mm, Push Button Switch , Illuminated power symbol with the Ring , Latching,
 1NO1NC, IP65, Green 12V for LED, IP65
 Item no. 1303025



The Front Shape	Flat Round
Terminal Type	Pin Terminal(1.8×0.4mm)
Switching	C(single-break fast-motion changeover contact)
Switch Rating	2A/48VDC
Contact Resistance	≤50m Ω
Insulation Resistance	≥1000M Ω
Dielectric Intensity	2000VAC
Operating and storage temperature.....	-20℃ ~ +55℃
Operating and storage humidity.....	45 ~ 85% RH
Mechanical Life	200,000 cycles
Electrical Life	50,000 cycles
Panel Thickness	1~10mm
Operation Pressure	About 2.5~4N
Operation Travel	About 2.8mm
Contact Material	Silver Alloy
Button Material	Stainless Steel
Crust Material	Stainless Steel

This is a publication by Conrad Electronic SE, Klaus-Conrad-Str. 1, D-92240 Hirschau (www.conrad.com).
 All rights including translation reserved. Reproduction by any method, e.g. photocopy, microfilming, or the capture in electronic data processing systems require the prior written approval by the editor. Reprinting, also in part, is prohibited. This publication represents the technical status at the time of printing.

© Copyright 2017 by Conrad Electronic SE.