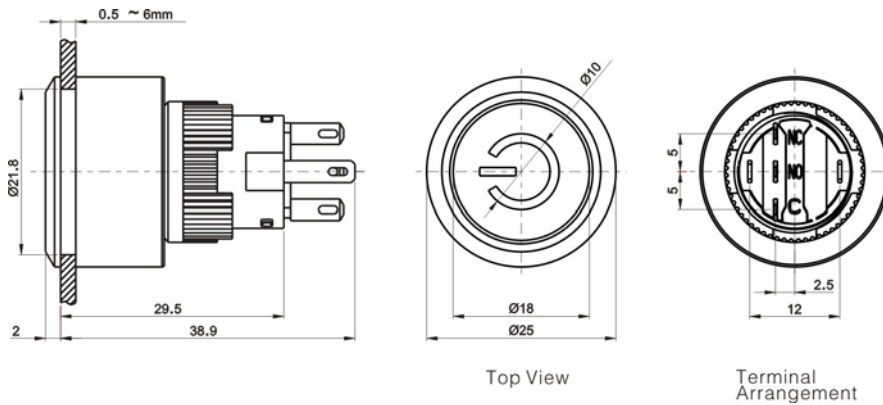


Datasheet

Item no. 1303029

V1_0717_01_en

Φ 22mm, Push Button Switch ,Illuminated Power Symbol , Momentary,
 1NO1NC, IP65, Red 12V For LED, IP65
 Item no. 1303029



| | |
|--|--|
| The Front Shape | Flat Round |
| Terminal Type | Pin Terminal(2.8×0.5mm) |
| Switching | C(single-break fast-motion changeover contact) |
| Switch Rating | 3A / 250VAC |
| Contact Resistance | ≤50m Ω |
| Insulation Resistance | ≥100M Ω |
| Dielectric Intensity | 2000VAC |
| Operating and storage temperature..... | -20℃ ~ +55℃ |
| Operating and storage humidity..... | 45 ~ 85% RH |
| Mechanical Life | 1000,000 cycles |
| Electrical Life | 50,000 cycles |
| Panel Thickness | 0.5~6mm |
| Operation Pressure | About 1~4N |
| Operation Travel | About 3mm |
| Contact Material | Silver Alloy |
| Button Material | PC |
| Crust Material | PC |

This is a publication by Conrad Electronic SE, Klaus-Conrad-Str. 1, D-92240 Hirschau (www.conrad.com).
 All rights including translation reserved. Reproduction by any method, e.g. photocopy, microfilming, or the capture in electronic data processing systems require the prior written approval by the editor. Reprinting, also in part, is prohibited. This publication represents the technical status at the time of printing.

© Copyright 2017 by Conrad Electronic SE.