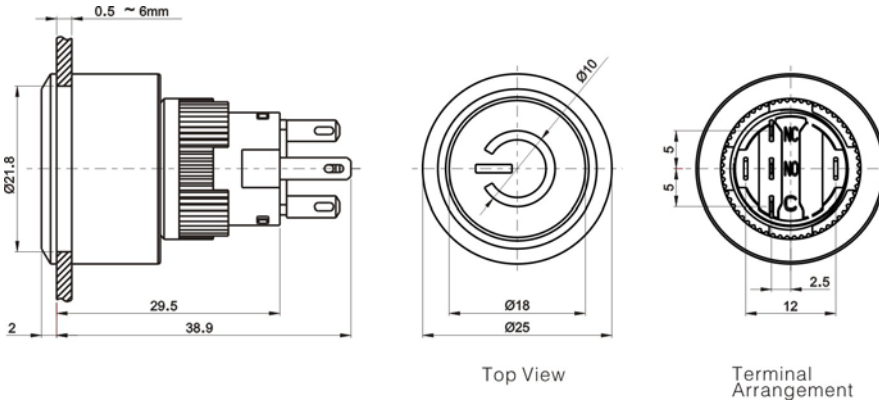


# Datasheet

Item no. 1303030

V1\_0717\_01\_en

Φ 22mm, Push Button Switch , Illuminated Power Symbol , Momentary,  
 1NO1NC, IP65, Green 12V For LED, IP65  
 Item no. 1303030



The Front Shape .....	Flat Round
Terminal Type .....	Pin Terminal(2.8×0.5mm)
Switching .....	C(single-break fast-motion changeover contact)
Switch Rating .....	3A / 250VAC
Contact Resistance .....	≤50m Ω
Insulation Resistance .....	≥100M Ω
Dielectric Intensity .....	2000VAC
Operating and storage temperature.....	-20℃ ~ +55℃
Operating and storage humidity.....	45 ~ 85% RH
Mechanical Life .....	1000,000 cycles
Electrical Life .....	50,000 cycles
Panel Thickness .....	0.5~6mm
Operation Pressure .....	About 1~4N
Operation Travel .....	About 3mm
Contact Material .....	Silver Alloy
Button Material .....	PC
Crust Material .....	PC