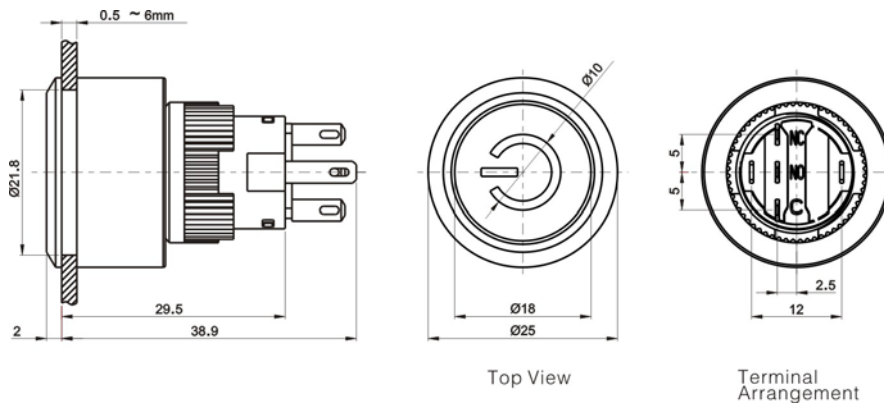


DATASHEET

Φ22mm, Push Button Switch , Illuminated Power Symbol , Momentary,
 1NO1NC, IP65, Blue 12V For LED, IP65
 Item no. 98008c55

Version 06/14



Specification	LAS1-AWY-11T/B/12V/P
The Front Shape	Flat Round
Terminal Type	Pin Terminal(2.8×0.5mm)
Switching	C(single-break fast-motion changeover contact)
Switch Rating	3A / 250VAC
Contact Resistance	≤50m Ω
Insulation Resistance	≥100M Ω
Dielectric Intensity	2000VAC
Operating and storage temperature.....	-20°C ~ +55°C
Operating and storage humidity.....	45 ~ 85% RH
Mechanical Life	1000,000 cycles
Electrical Life	50,000 cycles
Panel Thickness	0.5~6mm
Operation Pressure	About 1~4N
Operation Travel	About 3 mm
Contact Material	Silver Alloy
Button Material	PC
Crust Material	PC