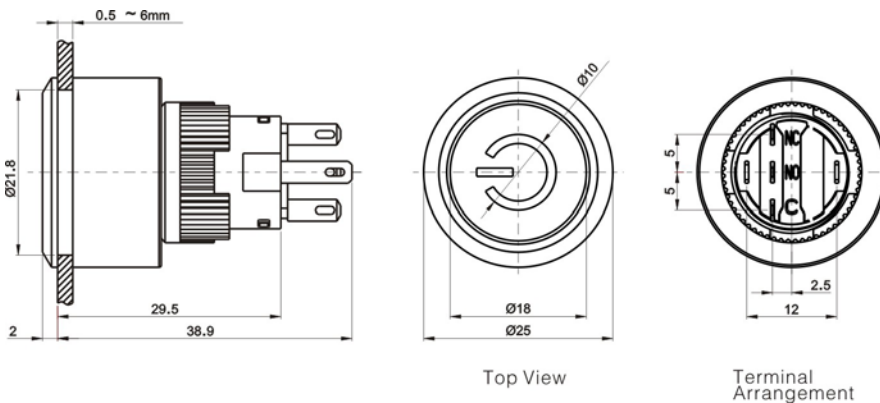


Datasheet

Item no. 1303032

V1_0717_01_en

Φ 22mm, Push Button Switch , Illuminated power symbol , Momentary,
 1NO1NC, IP65, White 12V For LED, IP65
 Item no. 1303032



The Front Shape	Flat Round
Terminal Type	Pin Terminal(2.8×0.5mm)
Switching	C(single-break fast-motion changeover contact)
Switch Rating	3A / 250VAC
Contact Resistance	≤50m Ω
Insulation Resistance	≥100M Ω
Dielectric Intensity	2000VAC
Operating and storage temperature.....	-20℃ ~ +55℃
Operating and storage humidity.....	45 ~ 85% RH
Mechanical Life	1000,000 cycles
Electrical Life	50,000 cycles
Panel Thickness	0.5~6mm
Operation Pressure	About 1~4N
Operation Travel	About 3 mm
Contact Material	Silver Alloy
Button Material	PC
Crust Material	PC

This is a publication by Conrad Electronic SE, Klaus-Conrad-Str. 1, D-92240 Hirschau (www.conrad.com).
 All rights including translation reserved. Reproduction by any method, e.g. photocopy, microfilming, or the capture in electronic data processing systems require the prior written approval by the editor. Reprinting, also in part, is prohibited. This publication represents the technical status at the time of printing.
 © Copyright 2017 by Conrad Electronic SE.