

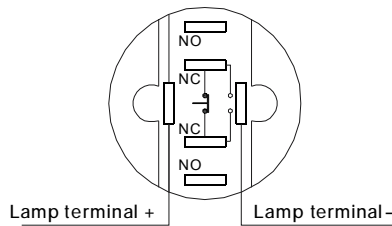
Datasheet

Item no. 1272988/ 1272989/ 701965/ 1303036/ 701977/ 1303035/
701776/ 1303034/ 1303037

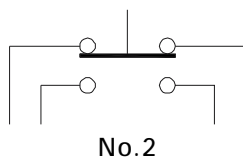
V1_0717_01_en

ANTI-VANDAL PUSHBUTTONS

◆ Terminal Arrangement



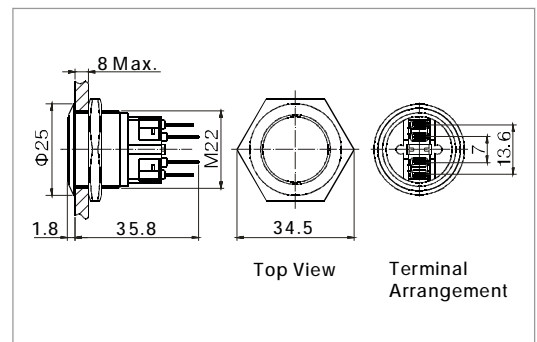
◆ Switching Operation



PUSH BUTTON SWITCH



- ⊙ $\Phi 22$ mm diameter
- ⊙ 5A/250VAC
- ⊙ 1NO1NC
- ⊙ Switching:No.2
- ⊙ The Front Shape:Flat Round
- ⊙ The crust material:Stainless Steel/
Brass(Nikel Plated,Gold Plated)
- ⊙ IP Degree:IP65



1272988 : 22mm Dia.Flat head, Non-illuminated, Momentary, 1NO1NC, Stainless steel, Pin terminal, IP65

1272989 : 22mm Dia.Flat head, Non-illuminated, Latching, 1NO1NC, Stainless steel, Pin terminal,IP65

Datasheet

Item no. 1272988/ 1272989/ 701965/ 1303036/ 701977/ 1303035/
701776/ 1303034/ 1303037

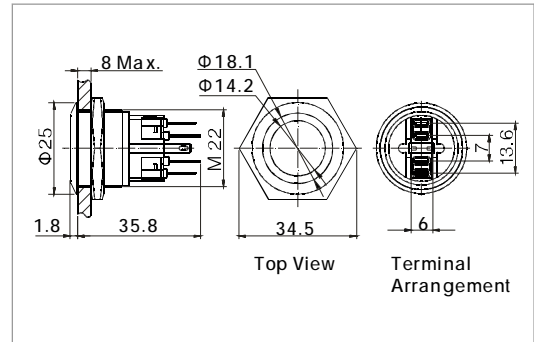
V1_0717_01_en

ANTI-VANDAL PUSHBUTTONS

RING ILLUMINATED PUSH BUTTON SWITCH



- ⊙ Φ 22mm diameter
- ⊙ 5A/250VAC
- ⊙ 1NO1NC
- ⊙ Switching:No.2
- ⊙ The Front Shape:Flat Round
- ⊙ The crust material:Stainless Steel/
Brass(Nikel Plated,Gold Plated)
- ⊙ IP Degree:IP65



701965 : Vandal proof push button, dia.22mm, 5A/250VAC, 1NO1NC, Momentary, Stainless steel crust, Pin terminal, Flat actuator, Ring illuminated, Blue 12V LED

1303036 : Vandal proof push button, Dia.22mm, Push Button Switch, Monentary, 1NO/1NC, Blue 12V Ring illuminated, champagne surface

701977 : Vandal proof push button, dia.22mm, 5A/250VAC, 1NO1NC, Momentary, Stainless steel crust, Pin terminal, Flat actuator, Ring illuminated, Green 12V LED

1303035 : Vandal proof push button, Dia.22mm,Push Button Switch, Monentary,1NO/1NC, Green 12V Ring illuminated, champagne surface

701776 : Vandal proof push button, dia.22mm, 5A/250VAC, 1NO1NC, Momentary, Stainless steel crust, Pin terminal, Flat actuator, Ring illuminated, Red 12V LED

1303034 : Vandal proof push button, Dia.22mm,Push Button Switch, Monentary,1NO/1NC, Red 12V Ring illuminated, champagne surface

1303037 : Vandal proof push button, Dia.22mm,Push Button Switch, Monentary,1NO/1NC, White 12V Ring illuminated,champagne surface

Datasheet

Item no. 1272988/ 1272989/ 701965/ 1303036/ 701977/ 1303035/
701776/ 1303034/ 1303037

V1_0717_01_en

ANTI-VANDAL PUSHBUTTONS

Item no.		1272988 1272989	701965 1303036 701977 701776 1303035 1303034 1303037
The Front Shape		Flat Round	Flat Round
Terminal Type		Pin Terminal(2.8×0.5mm)	Pin Terminal(2.8×0.5mm)
Switching		No.2	No.2
Max.Switch Rating		5A/250VAC	5A/250VAC
Contact Resistance		≤50mΩ	≤50mΩ
Insulation Resistance		≥1000MΩ	≥1000MΩ
Dielectric Strength		2000VAC	2000VAC
Operation Temp.		-20°C ~ +70°C	-20°C ~ +70°C
Mechanical Life		1,000,000cycles	1,000,000cycles
Electrical Life		50,000 cycles	50,000 cycles
Contact Material		Silver Alloy	Silver Alloy
Panel Thickness		1 ~ 8mm	1 ~ 8mm
Torque		5 ~ 14Nm	5 ~ 14Nm
Operation Pressure		3 ~ 8N	3 ~ 8N
IP Degree		IP65	IP65
Material	Button	Stainless Steel	Stainless Steel
	Body	Stainless Steel	Stainless Steel
	Base	PA	PA
RoHS		Yes	Yes
LED Spec.	Type	-	Ring Illuminated(LED)
	Rated Voltage	-	6V / 12V / 24V / 110V / 220V
	Color	-	R G Y O B W
	Life	-	40,000 hours

This is a publication by Conrad Electronic SE, Klaus-Conrad-Str. 1, D-92240 Hirschau (www.conrad.com).

All rights including translation reserved. Reproduction by any method, e.g. photocopy, microfilming, or the capture in electronic data processing systems require the prior written approval by the editor. Reprinting, also in part, is prohibited. This publication represents the technical status at the time of printing.

© Copyright 2017 by Conrad Electronic SE.