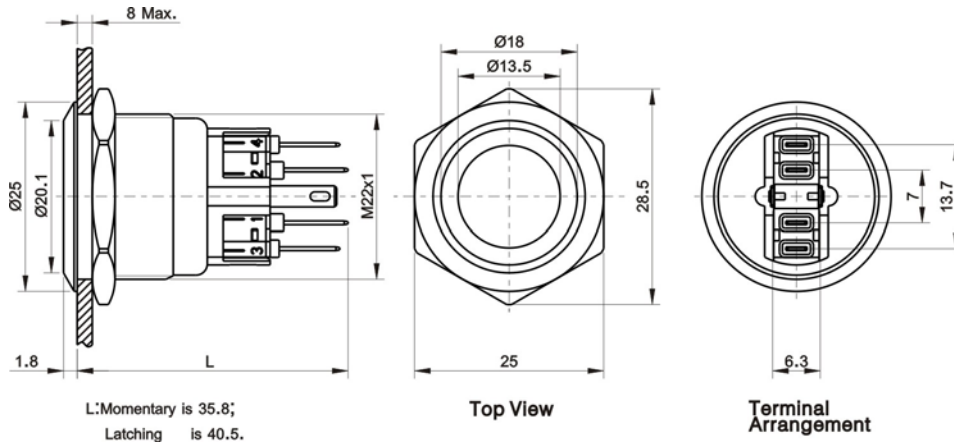


DATASHEET

Φ22mm, Push Button Switch ,Ring Illuminated, Momentary,
 1NO1NC,IP65,Red 12V For LED, Champagne surface
 Item no. 98008c58

Version06/14



Specification	GQ22-11E/R/12V/G
The Front Shape	Flat Round
Terminal Type	Pin Terminal(2.8×0.5mm)
Switching	Za(double-break fast-motion changeover contact)
Switch Rating	3A / 250V AC
Contact Resistance	≤50 mΩ
Insulation Resistance	≥1000 MΩ
Dielectric Intensity	2000 VAC
Operating and storage temperature.....	-20℃ ~ +55℃
Operating and storage humidity.....	45 ~ 85% RH
Mechanical Life	200,000 cycles
Electrical Life	50,000 cycles
Panel Thickness	1~8mm
Operation Pressure	About 5.5~7N
Operation Travel	About 2.8 mm
Contact Material	Silver Alloy
Button Material	Stainless Steel
Crust Material	Stainless Steel