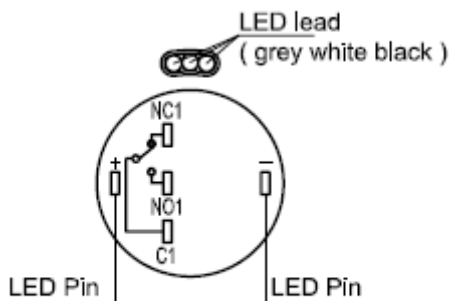
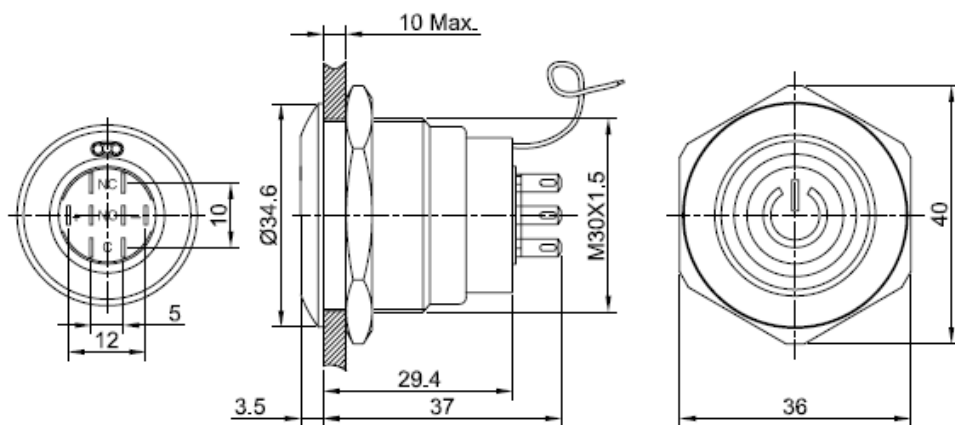


Datasheet

Item no. 1303038

V1_0717_01_en

Φ30 mm, Push button switch, Blue led with power symbol in centre, red-green dual colour in 12V of the outer circle, Stainless steel crust, 1N01NC, Latching. BN no. 1303038



Contact Composition

Noted: Black wire for common pins, white wire for red led color and grey wire for green led color.

Mounting diameter	30 mm
Switching voltage	250 V/AC
Switching current	3 A
Led colour	blue led colour for power symbol, red-green colour for circle
Led voltage	12V AC/DC
Switch function	latching
Connection	soldering
The front shape	flat

Datasheet

Item no. 1303038

V1_0717_01_en

Terminal type	pin terminal(2.8×0.5mm) and wire terminal
Contact resistance	≤ 50 mΩ
Insulation resistance	≥ 1000 MΩ
Dielectric intensity	2000 V/AC
Operating and storage temperature	-20 to +70 °C
Operating and storage humidity	45 to 85 % RH
Panel thickness	1 ~ 10 mm
Operation pressure	about 3 ~ 5 N
Operation travel	about 3.1 mm
Electrical lifespan	50000 cycles
Durability	500,000 cycles
Button material	PC
Crust material	stainless steel

This is a publication by Conrad Electronic SE, Klaus-Conrad-Str. 1, D-92240 Hirschau (www.conrad.com).
 All rights including translation reserved. Reproduction by any method, e.g. photocopy, microfilming, or the capture in electronic data processing systems require the prior written approval by the editor. Reprinting, also in part, is prohibited. This publication represents the technical status at the time of printing.

© Copyright 2017 by Conrad Electronic SE.