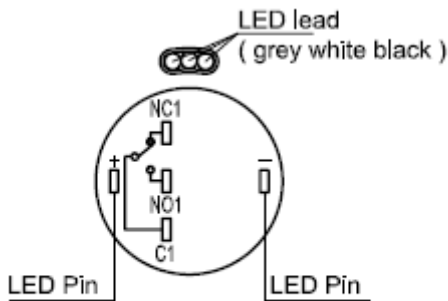
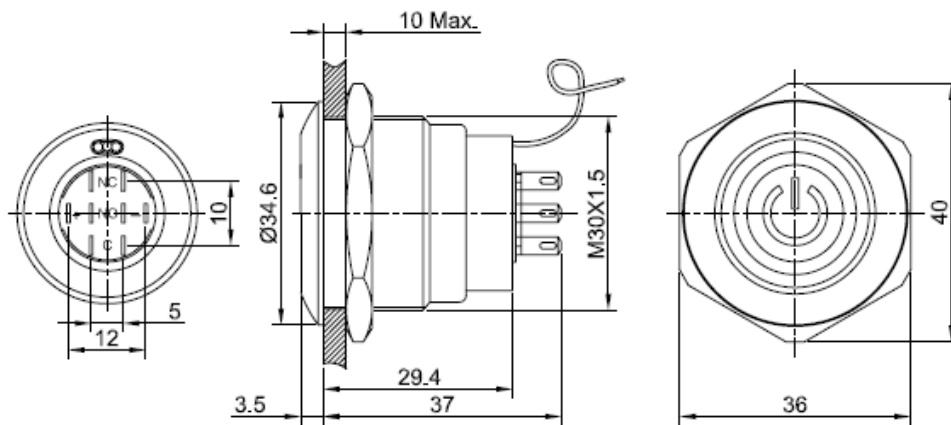


**Φ30 mm, Push button switch, Blue led with power symbol in centre, red-green dual colour in 12V of the outer circle, Stainless steel crust, 1N01NC, Latching.  
BN no. 1303038**

**Version 08/15**



### Contact Composition

Noted: Black wire for common pins, white wire for red led color and grey wire for green led color.

Specification .....	LAS1-AGQ30-11Z/B/RG/12V
Mounting diameter .....	30 mm
Switching voltage .....	250 V/AC
Switching current .....	3 A
Led colour .....	blue led colour for power symbol, red-green colour for circle
Led voltage .....	12V AC/DC
Switch function .....	latching
Connection .....	soldering
The front shape .....	flat

Terminal type .....	pin terminal(2.8×0.5mm) and wire terminal
Contact resistance .....	≤ 50 mΩ
Insulation resistance .....	≥ 1000 MΩ
Dielectric intensity .....	2000 V/AC
Operating and storage temperature .....	-20 to +70 °C
Operating and storage humidity .....	45 to 85 % RH
Panel thickness .....	1 ~ 10 mm
Operation pressure .....	about 3 ~ 5 N
Operation travel .....	about 3.1 mm
Electrical lifespan .....	50000 cycles
Durability .....	500,000 cycles
Button material .....	PC
Crust material .....	stainless steel



This data sheet is a publication by Conrad Electronic SE, Klaus-Conrad-Str. 1, D-92240 Hirschau ([www.conrad.com](http://www.conrad.com)). All rights including translation reserved. Reproduction by any method, e.g. photocopy, microfilming, or the capture in electronic data processing systems require the prior written approval by the editor. Reprinting, also in part, is prohibited. This data represent the technical status at the time of printing. Changes in technology and equipment reserved.

© Copyright 2015 by Conrad Electronic SE.