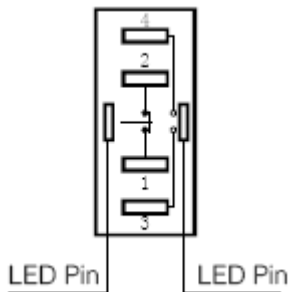
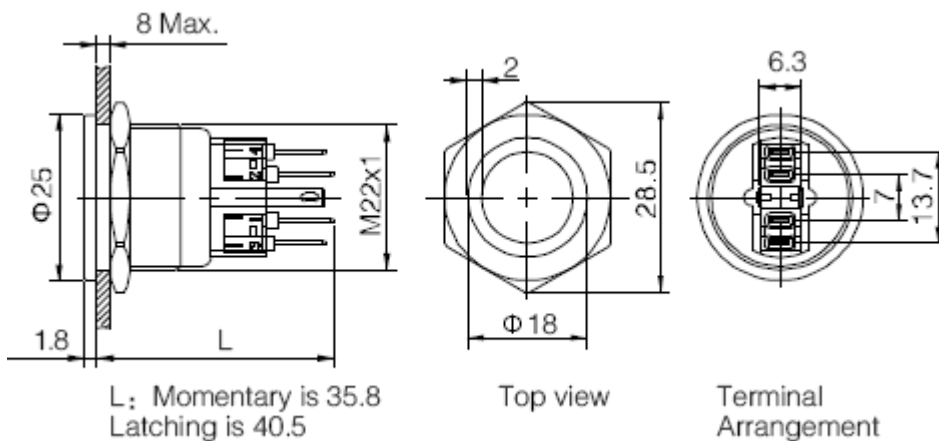


**Φ22 mm, push button switch, circle illuminated, red led
12V, flat head and flat crust, momentary type, Stainless
steel crust, 1N01NC,
BN no. 1303040**

Version 08/15



1 and 2 pin for NC, 3 and 4 pin for NO.

Specification	GQ22S-11E/R/12V
Mounting diameter	22 mm
Switching voltage	250 V/AC
Switching current	3 A
Led colour	red
Led voltage	12V AC/DC
Connection	soldering
Terminal type	pin terminal(2.8×0.5mm)
Contact resistance	≤ 50 mΩ
Insulation resistance	≥ 1000 MΩ
Dielectric intensity	2000 V/AC

Operating and storage temperature	-20 to +70 °C
Operating and storage humidity	45 to 85 % RH
Panel thickness	1 ~ 10 mm
Operation pressure	about 6 N
Operation travel	about 2.8 mm
Electrical lifespan	50000 cycles
Durability	1,000,000 cycles
Crust material	stainless steel



This data sheet is a publication by Conrad Electronic SE, Klaus-Conrad-Str. 1, D-92240 Hirschau (www.conrad.com). All rights including translation reserved. Reproduction by any method, e.g. photocopy, microfilming, or the capture in electronic data processing systems require the prior written approval by the editor. Reprinting, also in part, is prohibited. This data represent the technical status at the time of printing. Changes in technology and equipment reserved.

© Copyright 2015 by Conrad Electronic SE.