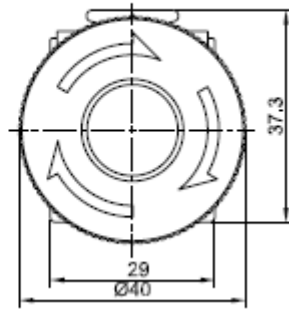
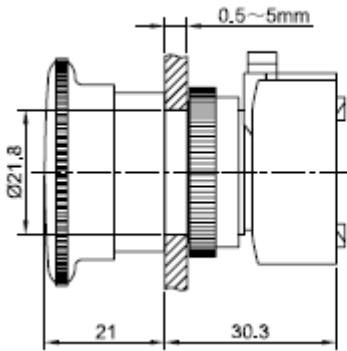


**Φ22 mm, Emergency stop button A type, red colour,  
BN no. 1303041**



Specification .....	EPO switch without contact block
Mounting diameter .....	22 mm
Cap colour .....	red
Operating and storage temperature .....	-20 to +70 °C
Operating and storage humidity .....	45 to 85 % RH
Panel thickness .....	0.5 ~ 5 mm

This is a publication by Conrad Electronic SE, Klaus-Conrad-Str. 1, D-92240 Hirschau ([www.conrad.com](http://www.conrad.com)).  
 All rights including translation reserved. Reproduction by any method, e.g. photocopy, microfilming, or the capture in electronic data processing systems require the prior written approval by the editor. Reprinting, also in part, is prohibited. This publication represents the technical status at the time of printing.

© Copyright 2017 by Conrad Electronic SE.