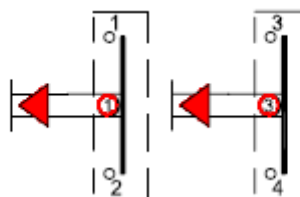
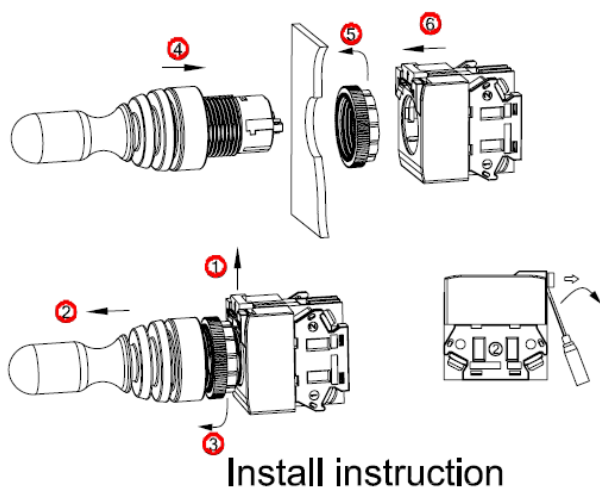
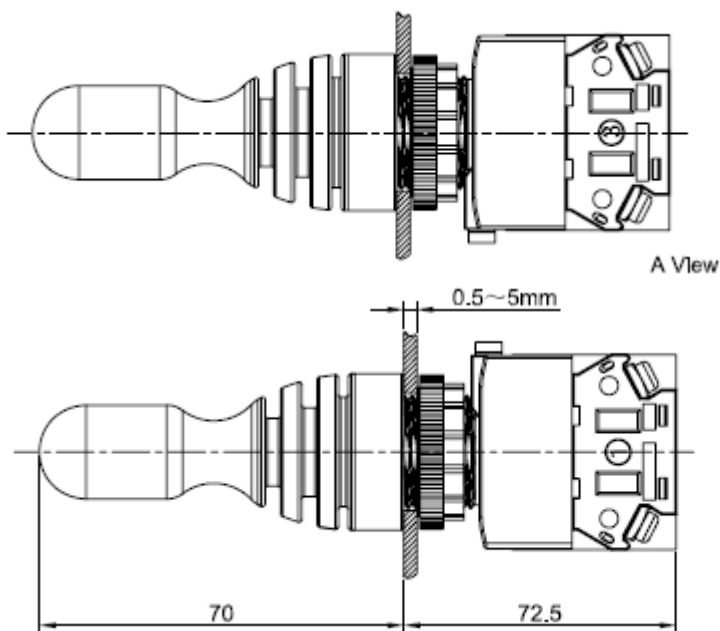


Datasheet

Item no. 1303043

V1_0717_01_en

Φ22 mm, rocker switch, 2 position, 2NO, BN no. 1303043



Contact Composition
(The switch code is 20; 1,2,3,4 are all normal opened(NO).)

Mounting diameter	22 mm
Switching voltage	250 V/AC
Switching current	5 A
Connection	screw terminal
Contact resistance	≤ 50 mΩ

Datasheet

Item no. 1303043

V1_0717_01_en

Insulation resistance	≥ 100 MΩ
Dielectric intensity	2000 V/AC
Operating and storage temperature	-20 to +70 °C
Operating and storage humidity	45 to 85 % RH
Panel thickness	0.5 ~ 5 mm
Electrical lifespan	50,000 cycles
Durability	500,000 cycles
Base	PA

This is a publication by Conrad Electronic SE, Klaus-Conrad-Str. 1, D-92240 Hirschau (www.conrad.com).

All rights including translation reserved. Reproduction by any method, e.g. photocopy, microfilming, or the capture in electronic data processing systems require the prior written approval by the editor. Reprinting, also in part, is prohibited. This publication represents the technical status at the time of printing.

© Copyright 2017 by Conrad Electronic SE.