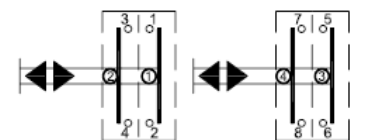
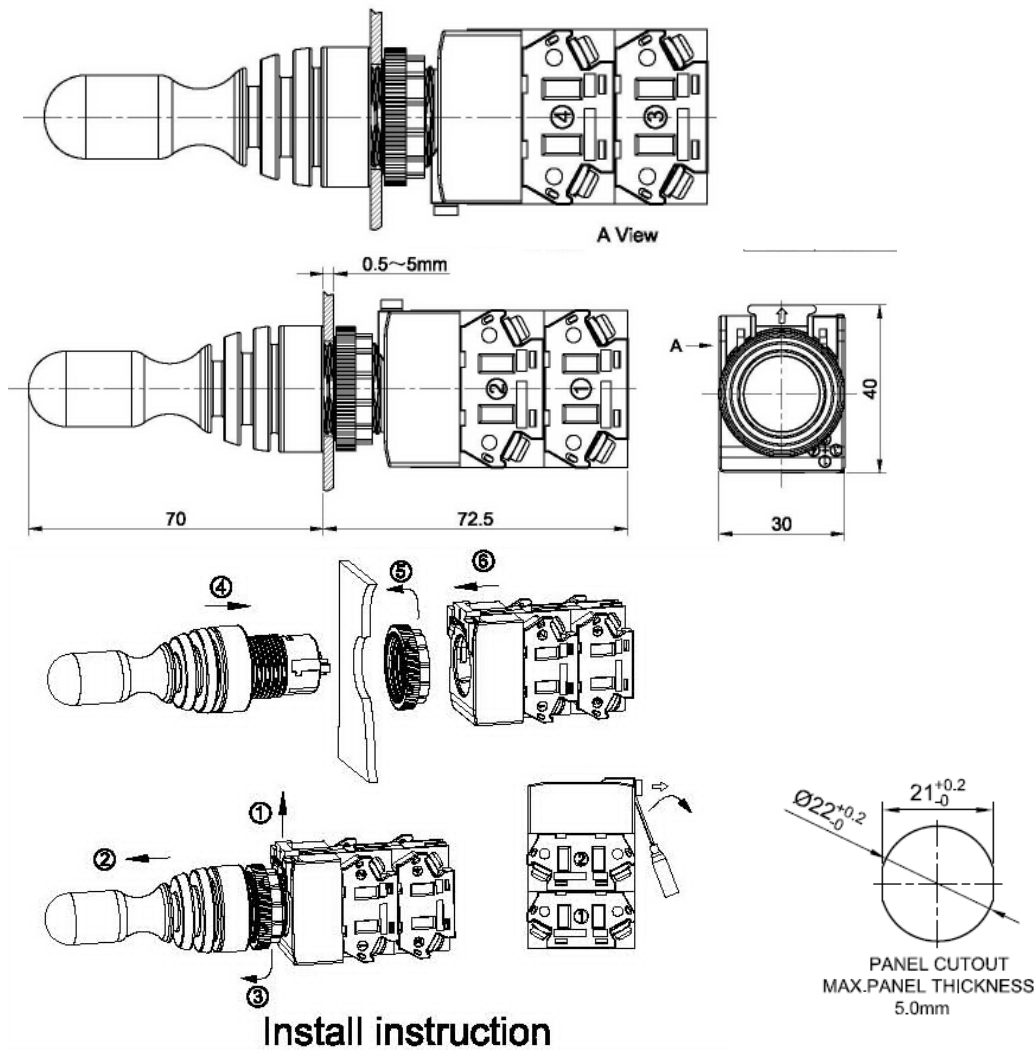


**Φ22 mm, rocker switch, 4 position, 4NO,  
BN no. 1303044**

**Version 08/15**



**Contact Composition**  
( The switch code is 40; 1,2,3,4,5,  
6,7,8 are all normal opened(NO.) )

Specification .....	LAS0-K-40C41
Mounting diameter .....	22 mm
Switching voltage .....	250 V/AC
Switching current .....	5 A
Connection .....	screw terminal
Contact resistance .....	≤ 50 mΩ
Insulation resistance .....	≥ 100 MΩ

Dielectric intensity .....	2000 V/AC
Operating and storage temperature .....	-20 to +70 °C
Operating and storage humidity .....	45 to 85 % RH
Panel thickness .....	0.5 ~ 5 mm
Electrical lifespan .....	50,000 cycles
Durability .....	500,000 cycles
Base .....	PA



This data sheet is a publication by Conrad Electronic SE, Klaus-Conrad-Str. 1, D-92240 Hirschau ([www.conrad.com](http://www.conrad.com)). All rights including translation reserved. Reproduction by any method, e.g. photocopy, microfilming, or the capture in electronic data processing systems require the prior written approval by the editor. Reprinting, also in part, is prohibited. This data represent the technical status at the time of printing. Changes in technology and equipment reserved.

© Copyright 2015 by Conrad Electronic SE.