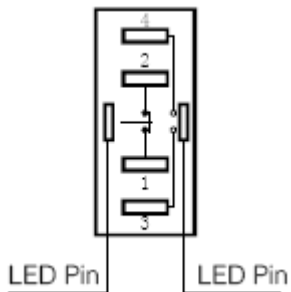
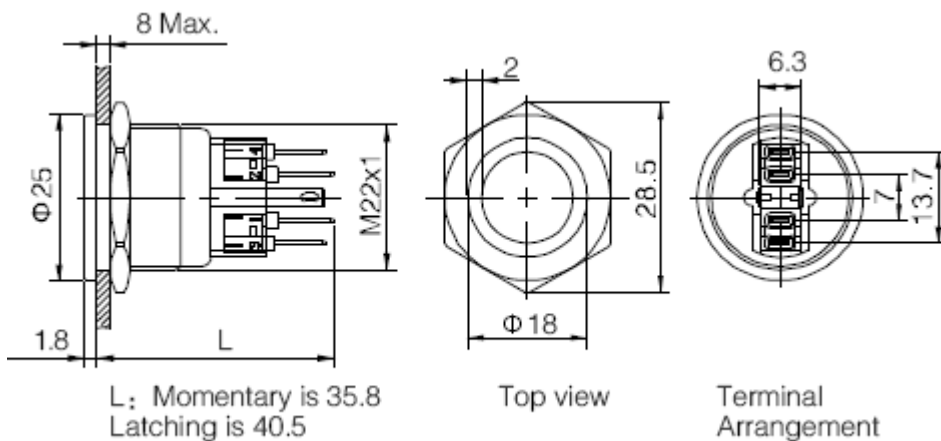


# Datasheet

Item no. 1303050

V1\_0717\_01\_en

**Φ22 mm, push button switch, circle illuminated, white led 12V, flat head and flat crust, momentary type, Stainless steel crust, 1NO1NC, BN no. 1303050**



1 and 2 pin for NC, 3 and 4 pin for NO.

Mounting diameter .....	22 mm
Switching voltage .....	250 V/AC
Switching current .....	3 A
Led colour .....	white
Led voltage .....	12V AC/DC
Connection .....	soldering
Terminal type .....	pin terminal(2.8×0.5mm)
Contact resistance .....	≤ 50 mΩ
Insulation resistance .....	≥ 1000 MΩ
Dielectric intensity .....	2000 V/AC

## Datasheet

Item no. 1303050

V1\_0717\_01\_en

---

Operating and storage temperature .....	-20 to +70 °C
Operating and storage humidity .....	45 to 85 % RH
Panel thickness .....	1 ~ 10 mm
Operation pressure .....	about 6 N
Operation travel .....	about 2.8 mm
Electrical lifespan .....	50000 cycles
Durability .....	1,000,000 cycles
Crust material .....	stainless steel

This is a publication by Conrad Electronic SE, Klaus-Conrad-Str. 1, D-92240 Hirschau ([www.conrad.com](http://www.conrad.com)).

All rights including translation reserved. Reproduction by any method, e.g. photocopy, microfilming, or the capture in electronic data processing systems require the prior written approval by the editor. Reprinting, also in part, is prohibited. This publication represents the technical status at the time of printing.

© Copyright 2017 by Conrad Electronic SE.