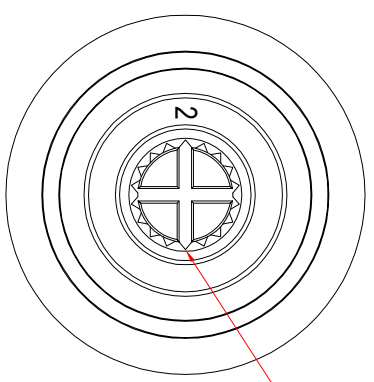
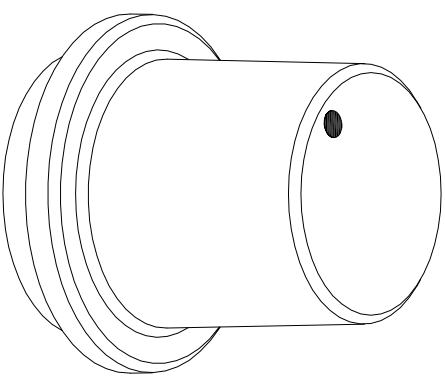
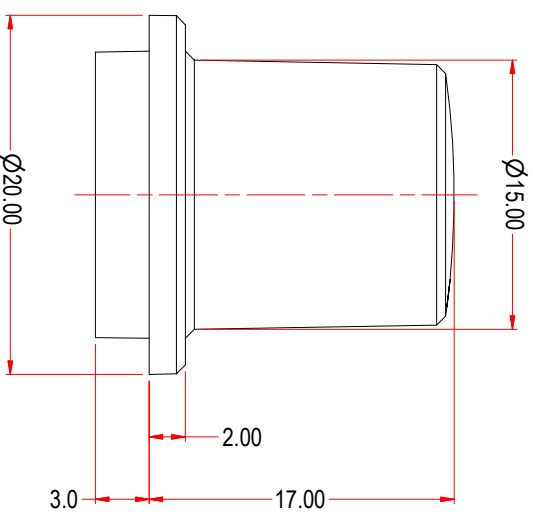
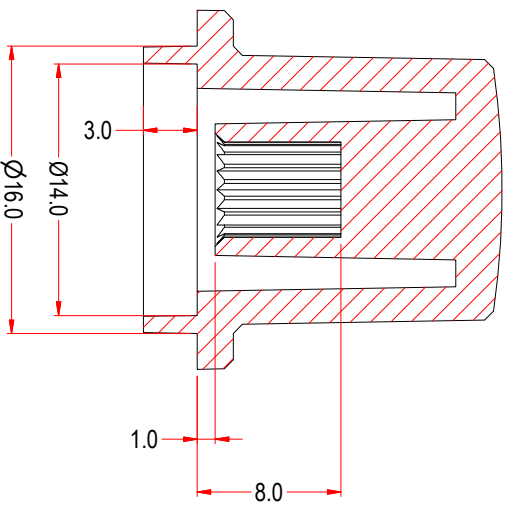
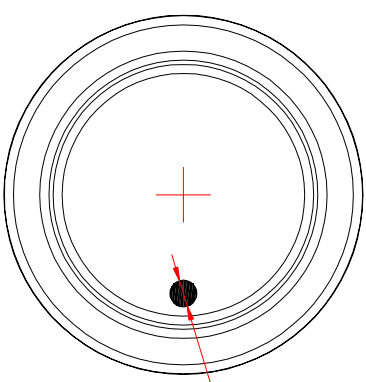
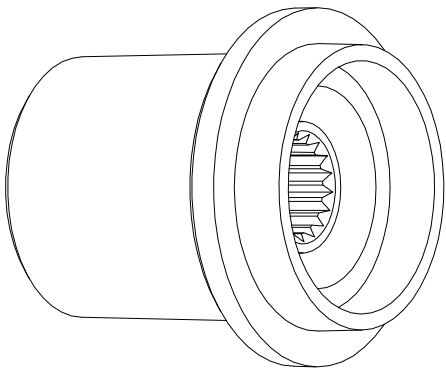


ISS.	AMEND	DATE
1	ISSUED	26/05/10
2	DESCRIPTION+VIEWS	01/11/13



- NOTES:
1. PART TO BE FREE FROM FLASH, SINK MARKS AND SURFACE DEFECTS.
 2. OUTSIDE SURFACES - JX-A1019 NON-SHINING.
- INSIDE SURFACES - AS MOULDED.

ROHS COMPLIANT

TOLERANCE
 NO DEC. PLACE ± 0.50
 1 DEC. PLACE ± 0.20
 2 DEC. PLACE ± 0.10
 HOLE Ø ± 0.10
 ANGLES ± 1/2°
 UNLESS OTHERWISE STATED

Cliff Electronic Components Ltd.

76 Holmehorpe Avenue, Holmehorpe Industrial Estate,
 Redhill, Surrey, RH1 2PF, England, UK
 Tel: 01737-771375 Fax: 01737-766012 Website: www.cliffuk.co.uk

THE CONTENTS OF THIS DOCUMENT MUST NOT BE COPIED OR DISCLOSED TO A 3rd PARTY WITHOUT WRITTEN PERMISSION OF CLIFF UK. © 2010

DIMENSIONS IN MILLIMETERS UNLESS OTHERWISE STATED. WORK TO DIMENSIONS. REMOVE ALL BURRS. IF IN DOUBT ASK.

3rd ANGLE PROJECTION:

DO NOT SCALE

MATERIAL: ABS - BLACK

FINISH: SEE NOTE 1 + 2

DRAWN: NJB

APPROVED: DRJ

TITLE: K19A 15mm KNOB 6mm SPLINE MD

DRWG. No. FCR 7171

FORM: ADDRWG+