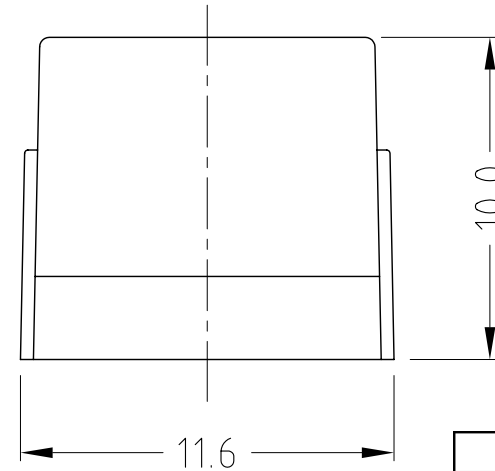
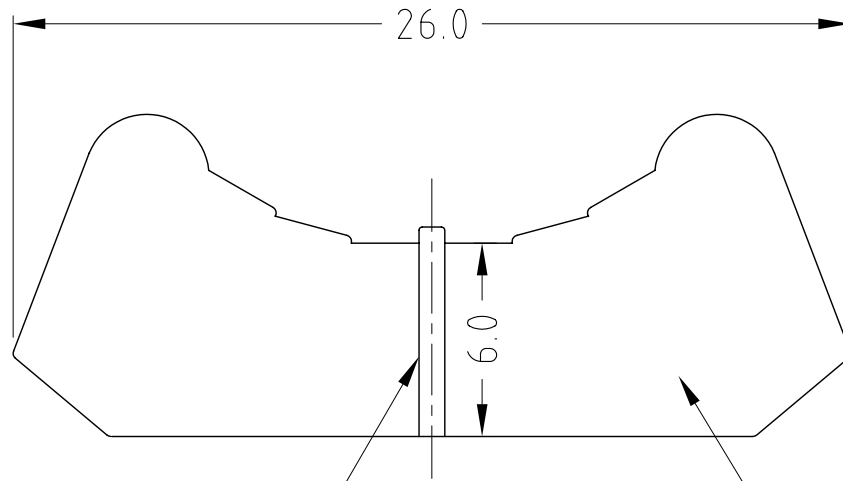


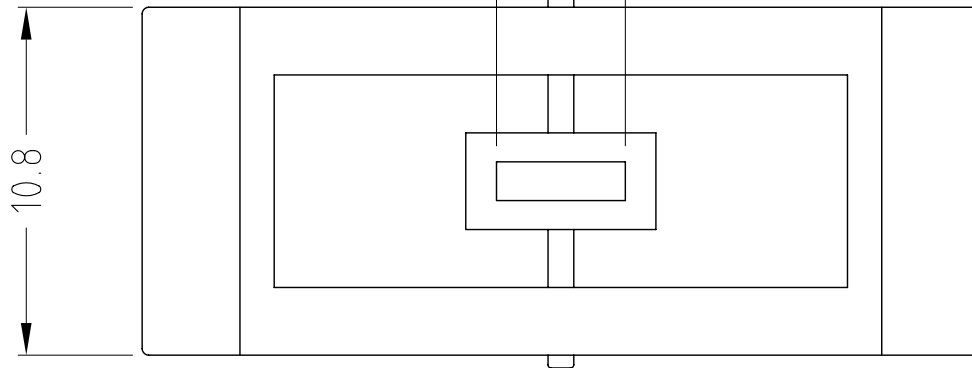
ISS.	AMEND	DATE
1	ISSUED	04/05/12



SEE  
TABLE

BLACK

SHAFT  
4.00x1.20



VARIANTS	
PART No.	MARKER LINE
FC72621	WHITE
FC72622	RED
FC72623	BLUE
FC72624	GREEN
FC72625	YELLOW
FC72626	GREY



**RoHS**  
COMPLIANT

TOLERANCE  
 NO DEC. PLACE  $\pm 0.50$   
 1 DEC. PLACE  $\pm 0.20$   
 2 DEC. PLACE  $\pm 0.10$   
 HOLE  $\varnothing \pm 0.10$   
 ANGLES  $\pm 1/2^\circ$   
 UNLESS  
 OTHERWISE STATED

DO NOT SCALE

**Cliff Electronic Components Ltd.**

76 Holmethorpe Avenue, Holmethorpe Industrial Estate,  
 Redhill, Surrey, RH1 2PF, England, UK  
 Tel: 01737-771375 Fax: 01737-766012 Website: www.cliffuk.co.uk

DIMENSIONS IN MILLIMETERS UNLESS OTHERWISE STATED. WORK TO DIMENSIONS. REMOVE ALL BURRS. IF IN DOUBT ASK.

3rd ANGLE PROJECTION:

MATERIAL: TPR / PP

TITLE: SLIDER KNOB - CS10R

FINISH: CLEAN - BLACK. MARKER LINE SEE TABLE

DRAWN: T.J.O.

APPROVED: D.P.J.

DRWG. No. **FC72621**

FORM: A4DRWGH