

**SPECIFICATION:**

Current rating: 25 A  
Voltage rating: 60 V DC max.  
Contact resistance: 5 mΩ max.  
Operating temperature: -25°C up to 85°C

**MATERIAL:**

Housing: PA6  
Contact: CuZn39Pb3-F51  
Nuts: CuZn39Pb3-F51  
Washer: ST2K60

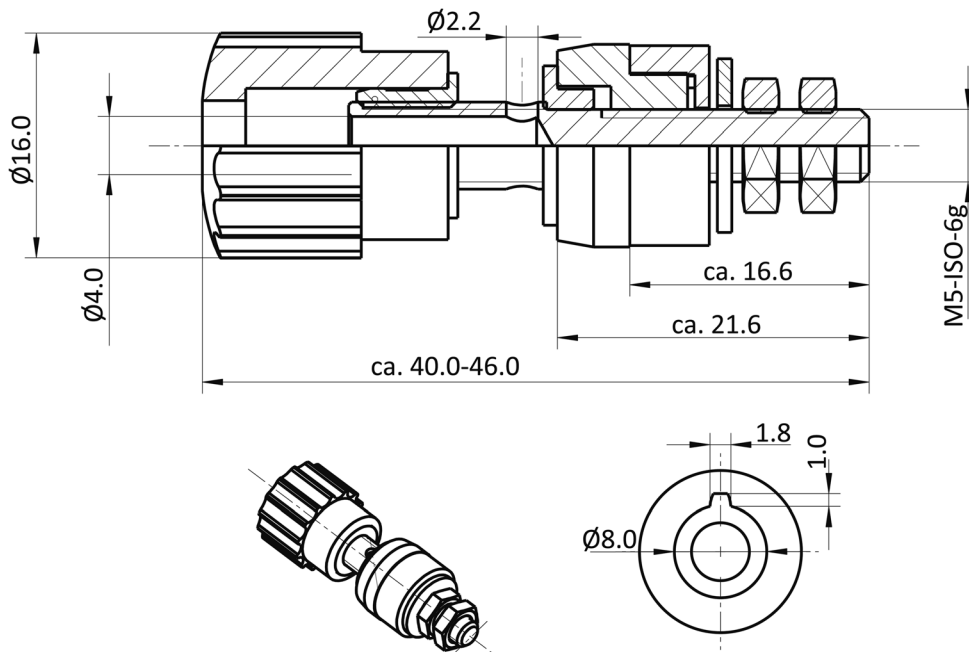
**FINISH:**

Contact: Glossy nickel plated 3-5 μm  
Nuts: Glossy nickel plated 3-5 μm  
Washer: Glossy nickel plated 3-5 μm

**HANDLING:**

Packing: Bulk

RoHS  
COMPLIANT



**Order-Information**

Identifier:

AK7

Colour:

#

Pole Clamp 4.0 mm M5 insulated with anti-twist device

SW: black \*

RT: red \*

BL: blue \*

GE: yellow \*

GN: green \*

WS: white

GR: grey

BR: brown

OR: orange

\* = standard