

DVI Female Connectors

Panel mount, digital, angled



RoHS
COMPLIANT

SPECIFICATION:

Current rating: 1 A
Insulation resistance: 1000 MΩ min.
Contact resistance: 30 mΩ max.
Dielectric voltage: 500 V AC
Operation temperature: -20 °C to +85 °C

MATERIAL:

Insulator: Thermoplastic UL94V-0
Shell: Steel
Contacts: Copper alloy

FINISH:

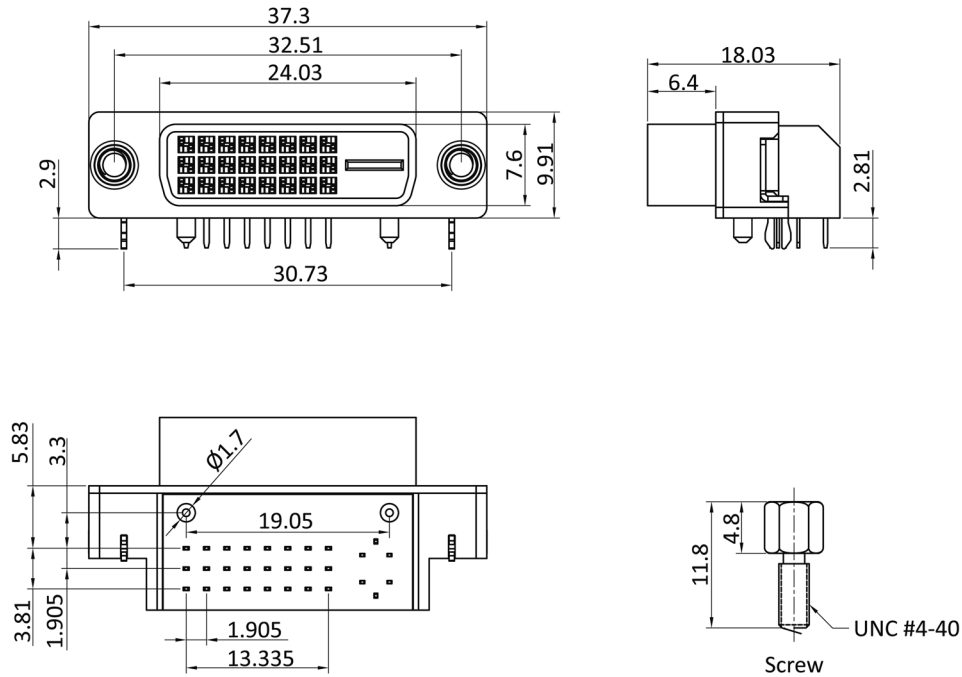
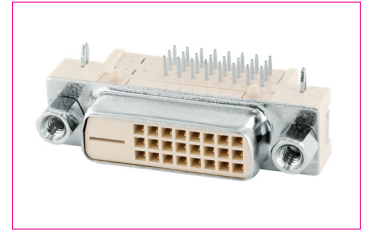
Contacts: Gold Flash
Shell: Nickel plated

HANDLING:

Processing: Wave soldering
Packing: Tray

TOLERANCE:

.X ± 0.30
.XX ± 0.20



Order-Information

Identifier:

DVID1

Panel jack angled, digital, PCB mount