

Modular Jacks, unshielded

PCB, vertical with Flange



RoHS COMPLIANT

SPECIFICATION:

Current rating: 1.5 A
 Insulation resistance: 1000 MΩ min.
 Contact resistance: 20 mΩ max.
 Dielectric voltage: 1000 V AC
 Operation temperature: -40 °C to +85 °C

MATERIAL:

Housing: PBT UL94V-0
 Contacts: Phosphorbronze
 Solder pins: Phosphorbronze

FINISH:

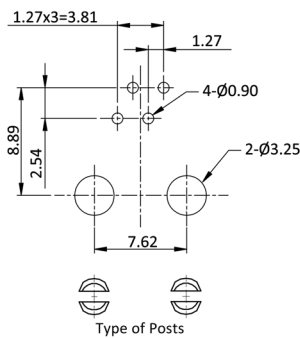
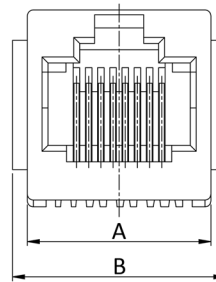
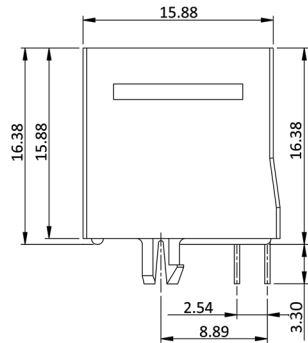
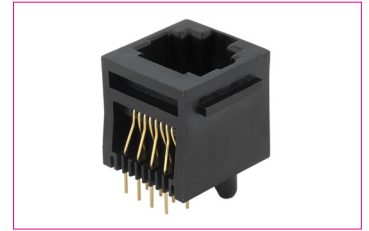
Contacts: Gold over nickel
 Solder pins: Gold over nickel

HANDLING:

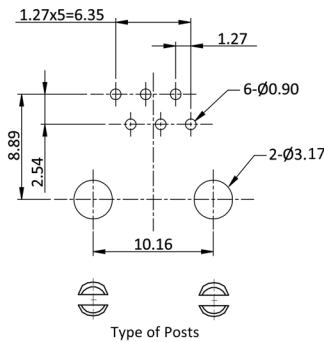
Processing: Wave soldering
 Packing: Tray

TOLERANCE:

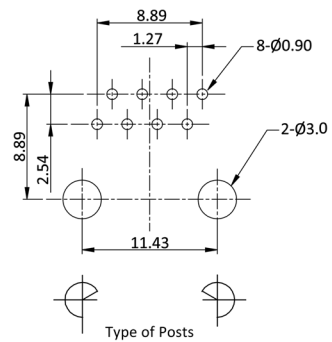
.X ± 0.25
 .XX ± 0.20



4P4C



6P6C



8P8C

Dimensions

Positions:	A	B
4	11.50	13.97
6	13.45	15.70
8	15.36	17.84

Order-Information

Identifier:	Positions:	Conductors:	Contact Plating:
MEB	# /	# PST	#
Modular Jack vertical unshielded, PCB mount	4: 4P 6: 6P 8: 8P	4: 4C 6: 6C 8: 8C	empty: 6 μ" Gold * B: 15 μ" Gold C: 30 μ" Gold D: 50 μ" Gold

* = standard