

Modular Jacks, unshielded

PCB with flange, Offset Latch



ROHS COMPLIANT

SPECIFICATION:

Current rating: 1.5 A
 Insulation resistance: 1000 MΩ min.
 Contact resistance: 20 mΩ max.
 Dielectric voltage: 1000 V AC
 Operation temperature: -45 °C to +85 °C

MATERIAL:

Housing: PBT
 Contacts: Phosphorbronze
 Solder pins: Phosphorbronze

FINISH:

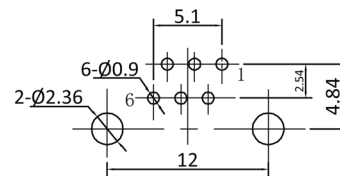
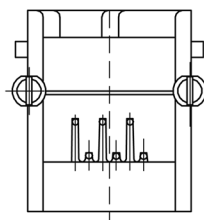
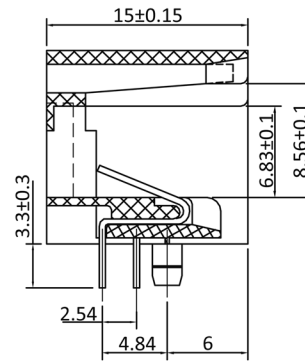
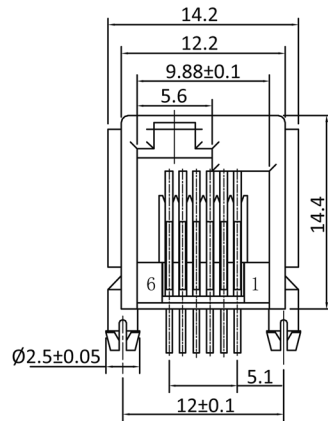
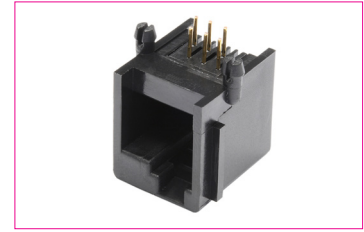
Contacts: 6 μ" Gold over nickel
 Solder pins: Gold over nickel

HANDLING:

Processing: Wave soldering
 Packing: Tray

TOLERANCE:

.X ± 0.25
 .XX ± 0,20



Order-Information

Identifier:	Positions:	Conductors:	Version:
MEBE	6	6	D
Modular Jack für plugs with offset latch	6: 6P	6: 6C	D: DEC