

Modular Plugs, unshielded

4P4C



SPECIFICATION:

Current rating: 1.5 A
 Insulation resistance: 1000 MΩ min.
 Contact resistance: 20 mΩ max.
 Dielectric voltage: 1000 V AC
 Operation temperature: -40 °C to +70 °C



MATERIAL:

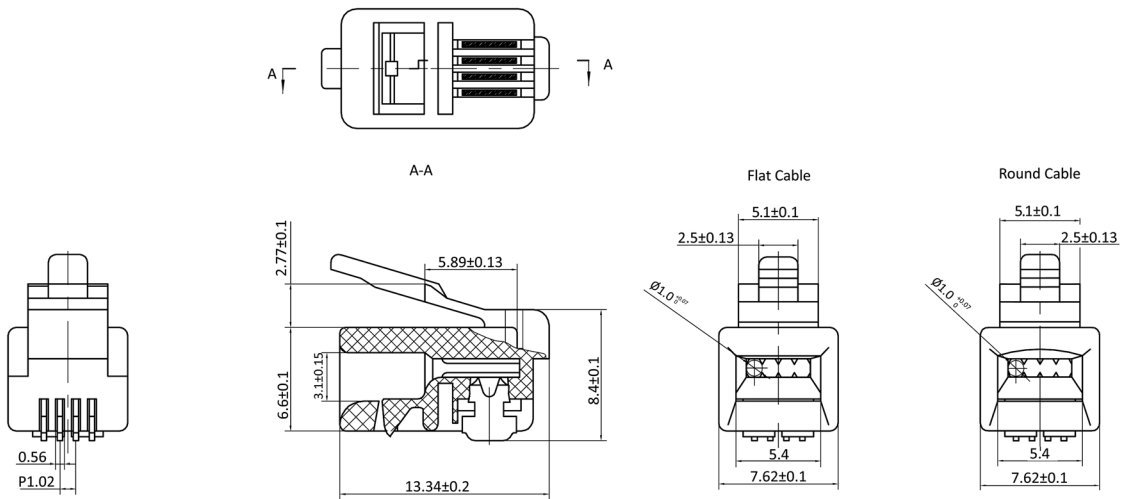
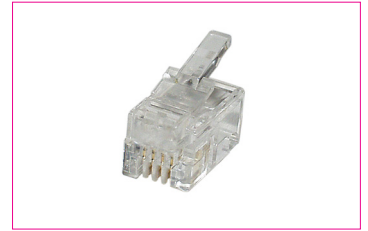
Housing: Polycarbonate UL94V-2
 Contacts: Phosphorbronze

FINISH:

Contacts: Gold flash

HANDLING:

Packing: Bulk



Order-Information

Identifier:

MPL44

Version:

#

Modular Plug 4P4C unshielded

empty: for flat oval cable

R: for round cable