

SPECIFICATION:

Current rating: 16 A
 Voltage rating: 60 V DC max.
 Contact resistance: 5 mΩ max.
 Operating temperature: -25°C up to 85°C

MATERIAL:

Housing: PS
 Contact: CuZn39Pb3-F51
 Screw: CuZn39Pb3-F51

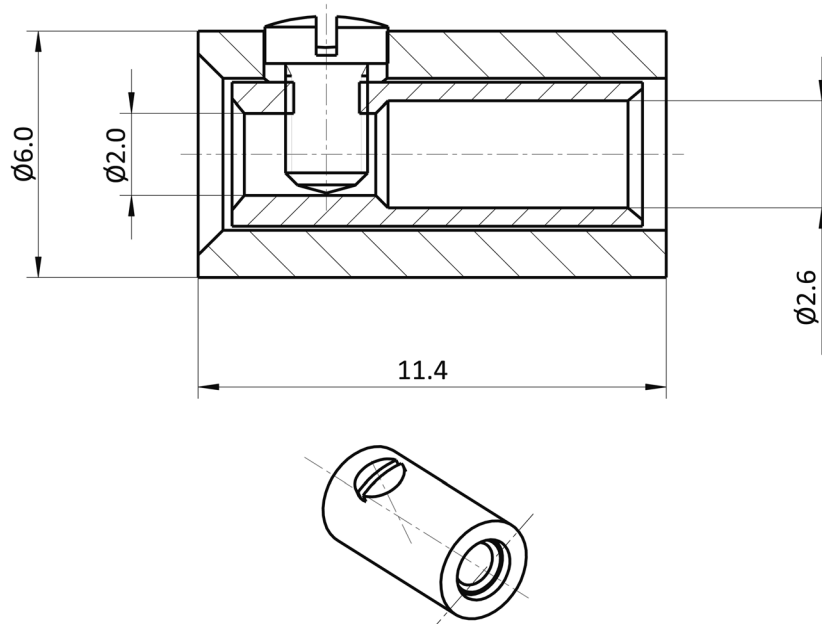
FINISH:

Contact: Glossy nickel plated 3-5 μm
 Screw: Glossy nickel plated 3-5 μm

HANDLING:

Connection: Screw connection
 Packing: Bulk

RoHS
COMPLIANT



Order-Information

Series:

HOK

HO Jack 2.6 mm

Colour:

#

SW: black *

RT: red *

BL: blue *

GE: yellow *

GN: green *

OR: orange

GR: grey

WS: white

BR: brown

* = standard