

**SPECIFICATION:**

Current rating: 16 A  
Voltage rating: 60 V DC max.  
Contact resistance: 5 mΩ max.  
Operating temperature: -25°C up to 85°C

**MATERIAL:**

Housing: PS  
Contact: CuZn39Pb3-F51  
Screw: CuZn39Pb3-F51

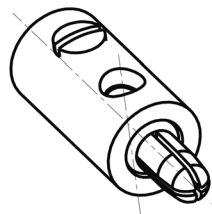
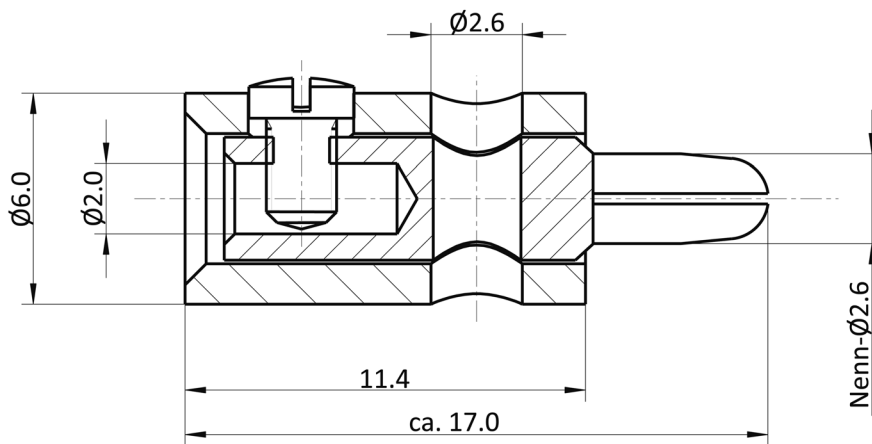
**FINISH:**

Contact: Glossy nickel plated 3-5 μm  
Screw: Glossy nickel plated 3-5 μm

**HANDLING:**

Connection: Screw connection  
Packing: Bulk

RoHS  
COMPLIANT



**Order-Information**

Series:

HOS

HO plug 2.6 mm

Colour:

#

SW: black \*

RT: red \*

BL: blue \*

GE: yellow \*

GN: green \*

OR: orange

GR: grey

WS: white

BR: brown

\* = standard