

**SPECIFICATION:**

Current rating: 2 A  
 Voltage rating: 12 V  
 Contact resistance: 30 mΩ max.  
 Insertion / Extraction Force: 0.3~3.0 kg  
 Operating life: 4000 Mating cycles

**MATERIAL:**

Housing: PBT UL94V-0  
 Barrel: Brass  
 Terminal: Brass

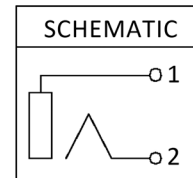
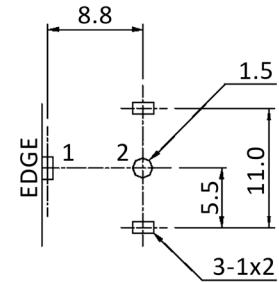
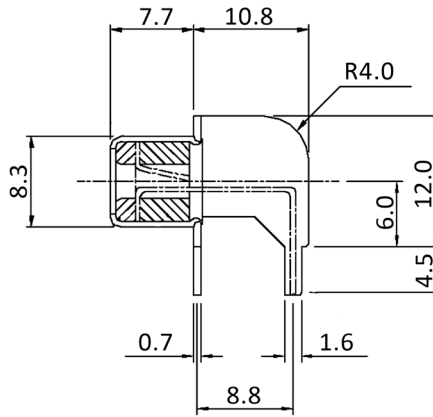
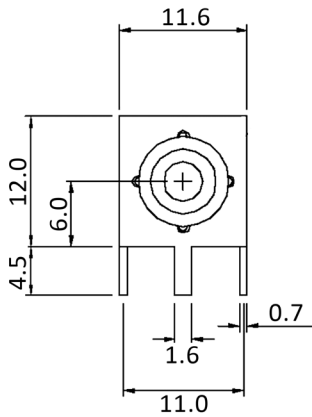
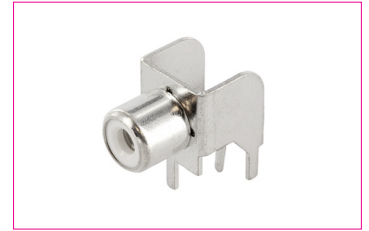
**FINISH:**

Barrel: Tin plated  
 Terminal: Tin plated

**TOLERANCE:**

.X ±0.25

RoHS  
COMPLIANT



**Order-Information**

Identifier:

CBP

Insulator colour:

#

RCA socket open frame

empty: black

RT: red

WS: white