

SPECIFICATION:

Current rating: 1 A
Voltage rating: 40 V
Insulation resistance: 100 MΩ min.
Contact resistance: 30 mΩ max.
Dielectric voltage: 500 V AC
Operation temperature: -40 °C to +70 °C

MECHANICAL:

Mating force: ≤ 15 N
Unmating force: ≥ 9.8 N

MATERIAL:

Insulator: PBT black UL94V-0
Shell: Brass
Contacts: Brass

FINISH:

Shell: Nickel plated
Contacts: Gold Flash in contact area
Tin plated on solder tails

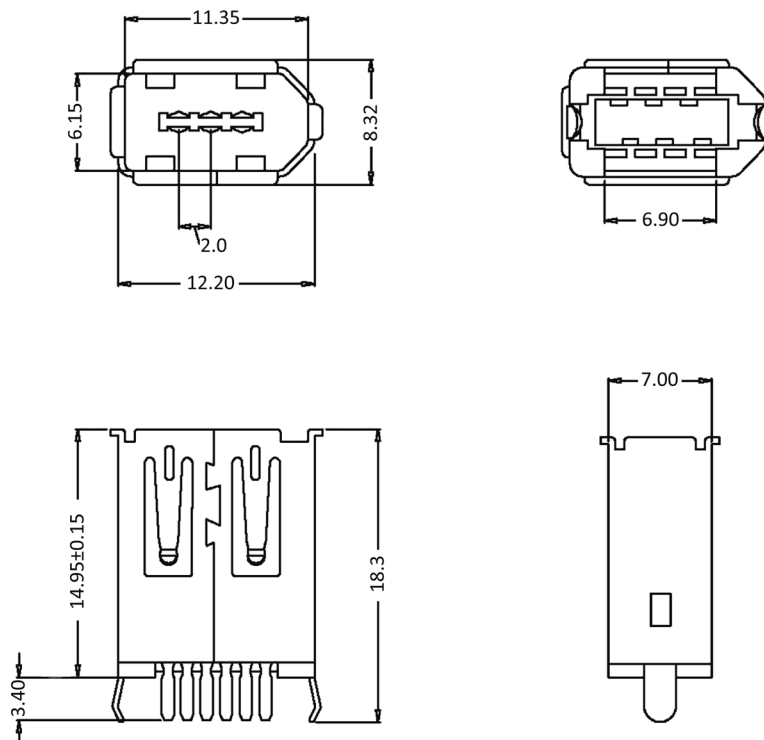
HANDLING:

Processing: Wave soldering
Packing: Tray

TOLERANCE:

.X ± 0.20
.XX ± 0.10

RoHS
COMPLIANT



Order-Information

Identifier:

FWB6PST

Socket 6 pin vertical