

SPECIFICATION:

Current rating: 1 A
 Insulation resistance: 500 MΩ min.
 Contact resistance: 30 mΩ max.
 Dielectric voltage: 500 V AC
 Operation temperature: -40 °C to +70 °C

MECHANICAL:

Mating force: ≤ 15 N
 Unmating force: ≥ 9.8 N

MATERIAL:

Insulator: Nylon black UL94V-0
 Shell: Phosphorbronze
 Contacts: Phosphorbronze

FINISH:

Shell: Nickel plated
 Contacts: Gold Flash in contact area
 Tin plated on solder tails

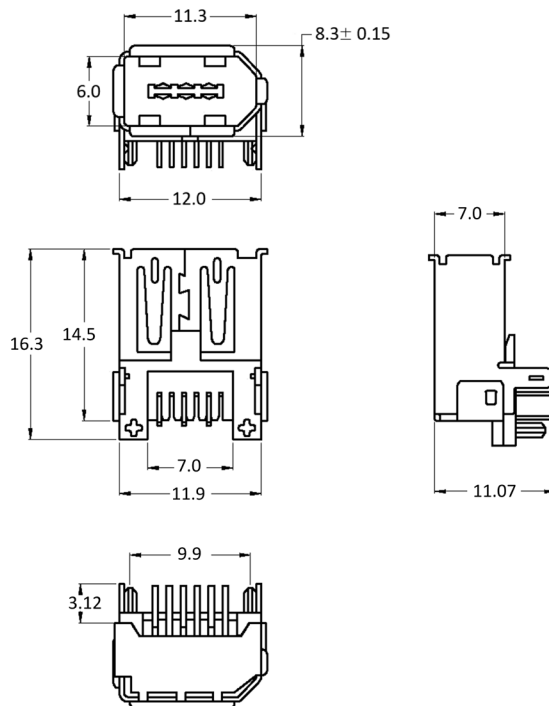
HANDLING:

Processing: Wave soldering
 Packing: Tray

TOLERANCE:

.X ± 0.20
 .XX ± 0.10

RoHS
COMPLIANT



Order-Information

Identifier:

FWB6P

Socket 6 pin angled